



Variable Valve Timing Solenoids (VVT) and Variable Timing Sprockets (VTS)

Technology

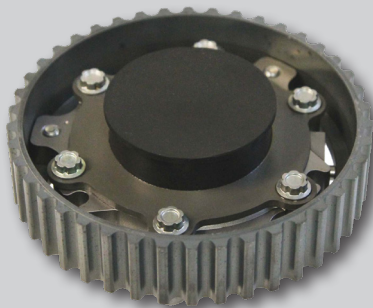
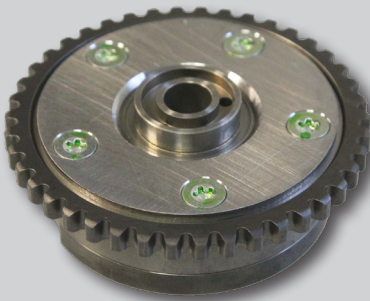
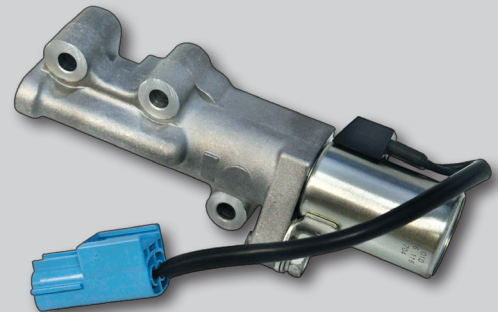
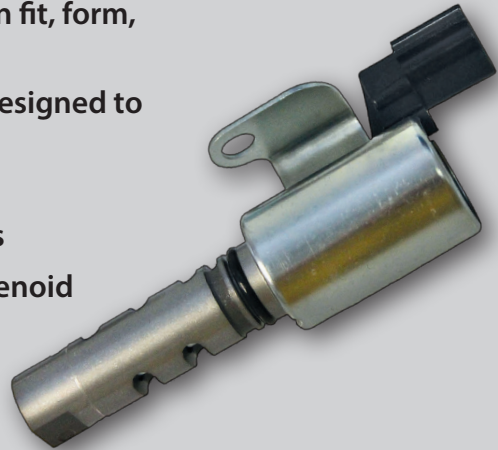
- 100% engineered and tested to OE specifications in fit, form, and function
- Manufactured with the highest quality materials designed to hold up under any condition

Marketing

- Competitively priced against all industry programs
- Full Service Kits® (FSK®) - Variable Valve Timing Solenoid plus vehicle side mating pigtail, COMING SOON

Coverage

- Complete program with 190+ SKUs for VVT and 34 SKUs for VTS
- Extensive coverage for car & light truck, domestic and import, gas, diesel, flex fuel & LPG/CNG
- Coverage spanning from 1990 to present year



WALKER PRODUCTS, INC. • 525 WEST CONGRESS STREET • PACIFIC, MO 63069

U.S. Corporate Office: 636-257-2400 • Fax: 636-257-6211

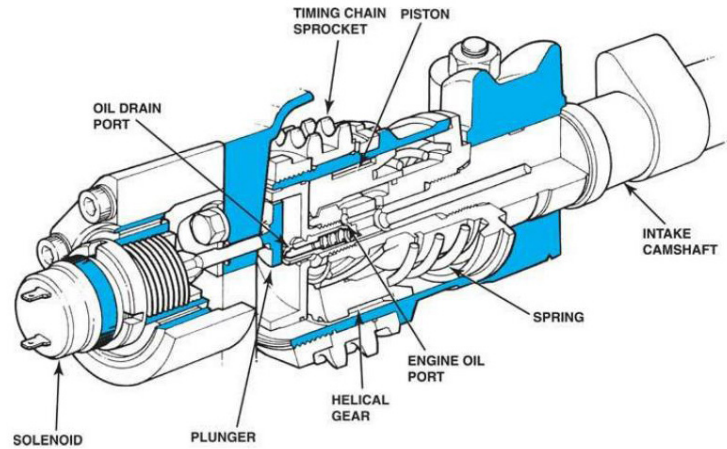
Customer Service: 636-257-1700 • Technical Support: 844-252-0114

U.K. Sales Office and Distribution Center: +44 (0) 121-459-8006 • saleseurope@walkerproducts.com

Oficinas para Mexico: +52-72-2402-2167 • Soporte tecnico y servicio al cliente en Mexico: +52-72-2207-8957

www.walkerproducts.com

QUALITY • COVERAGE • SUPPORT



WHAT IS THE VARIABLE VALVE TIMING SOLENOID?

The Variable Valve Timing Solenoid sends oil pressure to the Variable Valve Timing Sprocket, allowing the Variable Valve Timing Sprocket to retard or advance the camshaft position.

WHAT IS THE PURPOSE OF THE VARIABLE VALVE TIMING TECHNOLOGY?

This technology was introduced to increase engine performance without sacrificing fuel economy. When correctly operating the variable valve timing system will adjust the engine timing at specific RPM ranges or under various loads.

WHERE IS YOUR VARIABLE VALVE TIMING SOLENOID LOCATED?

The Variable Valve Timing Solenoid is located near the front of the engine by the valve cover.

WHY DOES YOUR VARIABLE VALVE TIMING SOLENOID FAIL?

Common causes of Variable Valve Timing Solenoid failure are oil clogging the screen, low engine oil level, lack of basic maintenance, and a failed solenoid due to poor quality.

SYMPTOMS OF A FAULTY VARIABLE VALVE TIMING SOLENOID?

The vehicle will have a rough idle, decreased fuel economy, engine stumbles under a load, engine will not function at high rpm, engine knock, and check engine light is on.

WHY IS THE WALKER VARIABLE VALVE TIMING SOLENOID BETTER?

- Every Variable Valve Timing Solenoid is tested before being shipped out for the best Quality
- Walker covers a broad range of engines and vehicle models
- We have a great Customer Support Team to support when you have questions