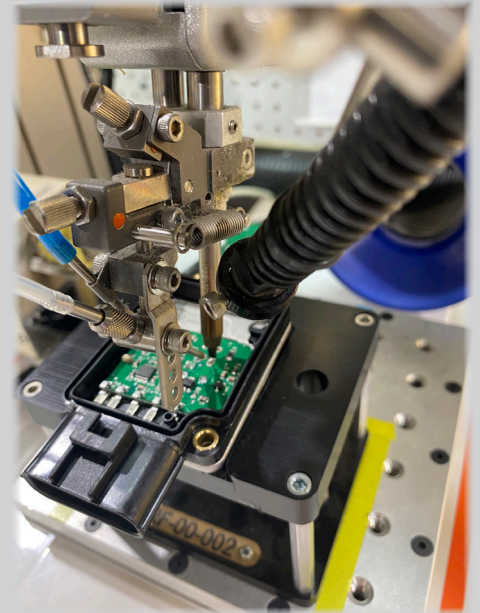
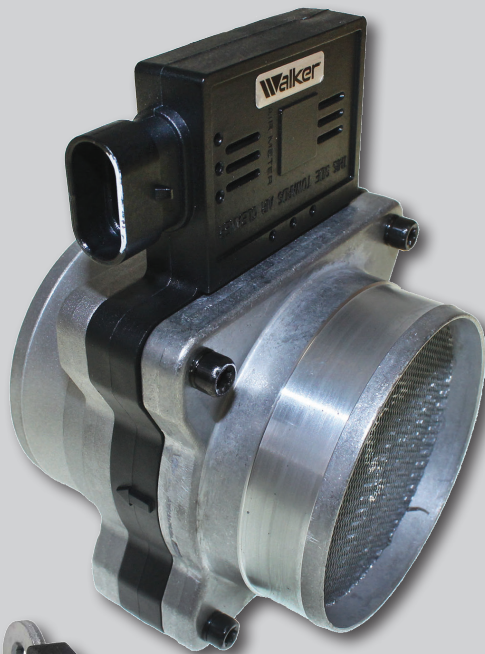


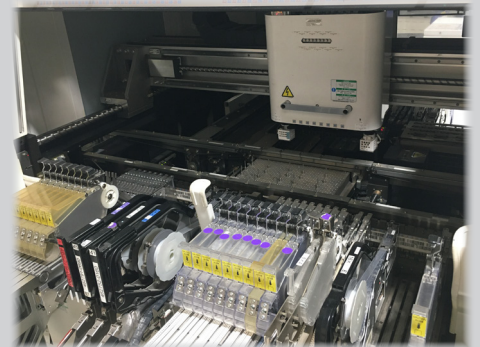


MASS AIR FLOW SENSORS HIGHEST DEMAND ITEMS MADE IN USA

Walker Products Mass Air Flow Sensors are NEW – NEVER remanufactured



ROBOTIC SOLDERING



PICK-N-PLACE

- Automated Testing & Calibration
- Patented Microchip Design



WALKER PRODUCTS, INC. • 525 WEST CONGRESS STREET • PACIFIC, MO 63069

U.S. Corporate Office: 636-257-2400 • Fax: 636-257-6211

Customer Service: 636-257-1700 • Technical Support: 844-252-0114

U.K. Sales Office and Distribution Center: +44 (0) 121-459-8006 • saleseurope@walkerproducts.com

Oficinas para Mexico: +52-72-2402-2167 • Soporte tecnico y servicio al cliente en Mexico: +52-72-2207-8957

www.walkerproducts.com

QUALITY • COVERAGE • SUPPORT



WHAT DOES YOUR MASS AIR FLOW SENSOR DO?

The Mass Air Flow Sensor measures the volume and temperature of air entering the engine's intake tube and reports the information to the vehicle computer. The computer uses this information to calculate/confirm the amount of air coming in, exhaust that will be leaving, the amount of fuel needed, and other factors that help the vehicle run efficiently.

WHERE IS YOUR MASS AIR FLOW SENSOR LOCATED?

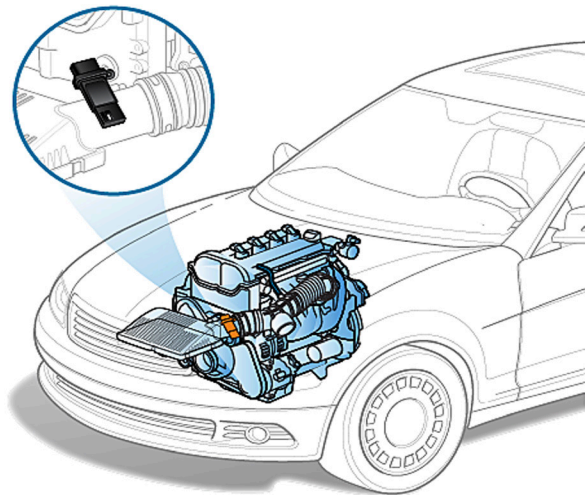
The Mass Air Flow Sensor is located right after the air filter box.

HOW DO YOU KNOW YOUR MASS AIR FLOW SENSOR FAILED?

Typically, your vehicle's Check Engine Light will illuminate on your dash telling you there is a code in the computer that you need read by a repair shop. If the code say it is your Mass Air Flow Sensors it does not always mean that your sensor is the bad part causing the code.

Listed below could be all reasons for a MAF code:

- Vacuum Leak • Miss Fire • Bad Connection/Wiring to the sensor • Damaged or Disconnected Intake Boot
- Clogged or Improperly Installed Air Filter • Clogged/Restricted Catalytic Converter or Exhaust
- Dirty/Obstructed or FAULTY MAF Sensor



WHY DOES A MASS AIR FLOW SENSOR FAIL?

The Mass Air Flow Sensor fails due to road debris getting pass your air filter and collecting on the elements on the MAF sensing elements or a blockage of the air flow path. (See image below)



WALKER PRODUCTS DOES NOT RECOMMEND USING MASS AIR FLOW CLEANER AEROSOL SPRAY. DOING SO COULD DAMAGE THE MASS AIR FLOW SENSOR.

WHY ARE WALKER MASS AIR FLOW SENSORS BETTER?

Walker Products MAF sensors are always 100% NEW and NEVER remanufactured! All sensors are 100% programmed and tested for fit, form, and function before being available to be sold. As an industry leading program, Walker Products manufacturers high demand SKUs in our USA facilities with OEM quality components, custom engineered circuit boards, and programming.