








REFERENCE








**WALKER CARBURETOR
KIT #15618A**




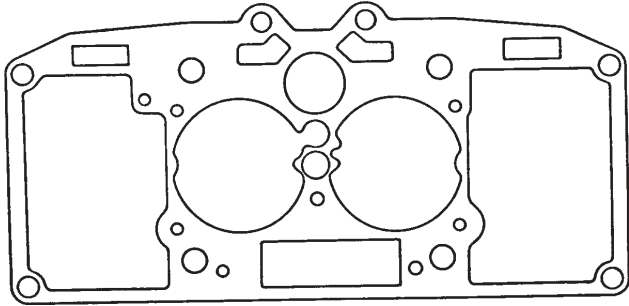
ZENITH

"APPLICATION"

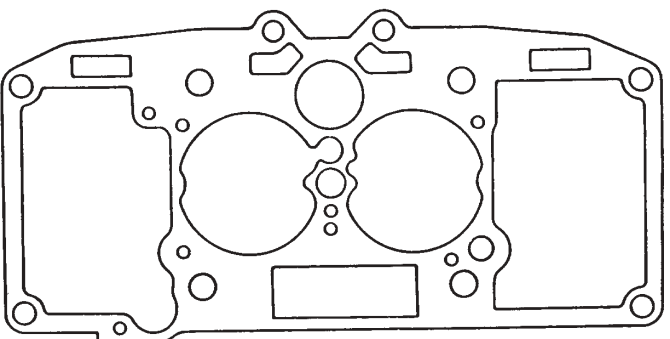
**AUDI (4 cyl).....1975
VOLKSWAGEN (4 cyl).....1976-75**

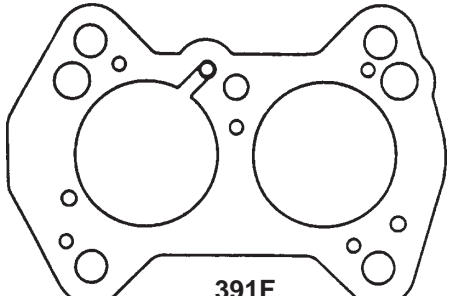
 974F CHOKE LEVER BUSHING	 942F SCREW SEALING PLUG	<p>ID .092  .063 THK. 705F IDLE NEEDLE SEAL O-RING</p>	<p>ID .512  .074 THK. G794 O-RING</p>	<p>ID .131 OD .273  .026 THK. 85-175 STEEL CHOKE ROD WASHER</p>	<p>ID .216 OD .441  .060 THK. 712F PUMP STEM SEAL</p>	<p>ID .281 OD .401  .033 THK. 841F BOWL DRAIN PLUG WASHER</p>
--	---	---	--	--	--	--

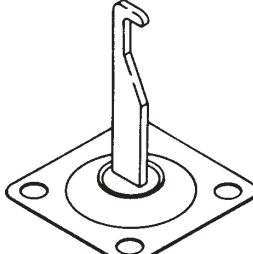
<p>ID .301  .054 THK. 713F WATER HOUSING BOLT O-RING</p>	<p>ID .364  .070 THK. G275 FUEL VALVE SEAT O-RING</p>	<p>ID .485 OD .626  .032 THK. 215F FUEL VALVE SEAT WASHER</p>	<p>ID .437 OD .635  .032 THK. 820F THROTTLE BODY PLUG WASHER</p>	 G1129 RUBBER VALVE SEAL WASHER	 64-198-1 BUNA PUMP CUP	 64-340 METHANOL RESISTANT PUMP CUP
---	--	--	---	--	--	--

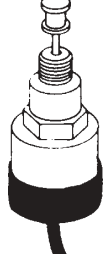
 18-223 NEEDLE VALVE ASSEMBLY	 32-55 COTTER PIN	 1.750 O.D. 710F CHOKE COVER O-RING	 797F BOWL COVER GASKET
--	--	--	--


 1.875 I.D.
200F
CHOKE COVER GASKET


927F
BOWL COVER GASKET


391F
**THROTTLE BODY
GASKET**


743F
**PUMP DIAPHRAGM
ASSEMBLY**


317-3030A
**IDLE BYPASS
AIR CUT-OFF VALVE**