

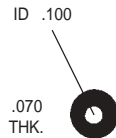
REFERENCE
WALKER CARBURETOR
KIT #15533B

WEBER

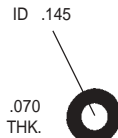
"APPLICATION"
FIAT (4 cyl).....1973-66



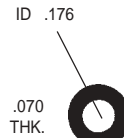
32-55
COTTER PIN



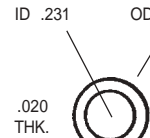
686F
DIAPHRAGM
PASSAGE O-RING



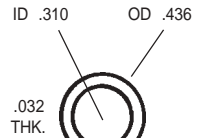
G274
SEC. JET
TUBE O-RING



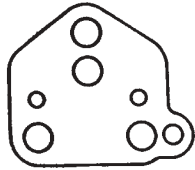
G273
SEC. CONNECTING
TUBE O-RING



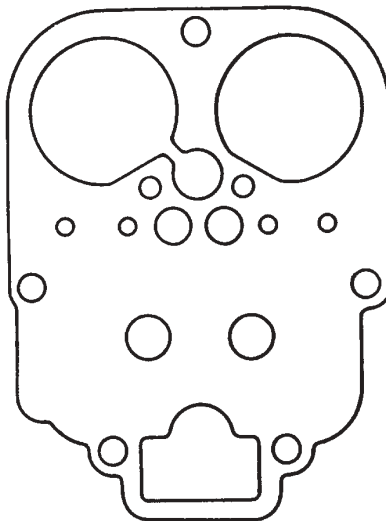
244F
PUMP NOZZLE
WASHER



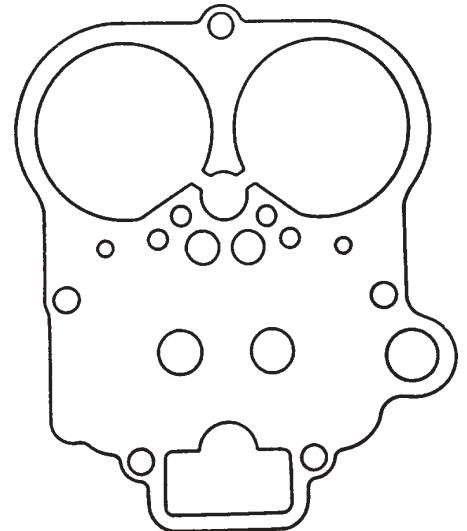
G1144
FUEL VALVE
SEAT WASHER



601F
DIAPHRAGM ASSEMBLY
MOUNTING GASKET



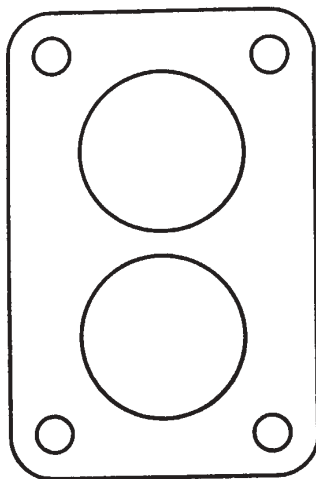
598F
BOWL COVER
GASKET



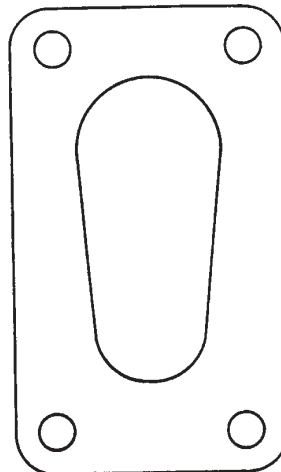
600F
BOWL COVER
GASKET



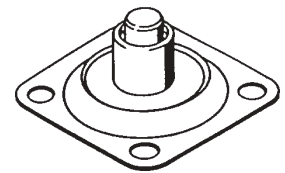
599F
CONTROL
MOUNTING GASKET



411F
FLANGE GASKET



602F
FLANGE GASKET



301F
PUMP DIAPHRAGM
ASSEMBLY



31-686
NEEDLE & SEAT
ASSEMBLY

REFERENCE

**WALKER CARBURETOR
KIT #15638**

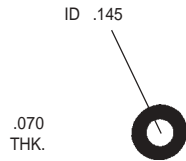
WEBER

"APPLICATION"

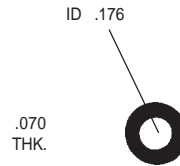
FIAT (4 cyl).....1974



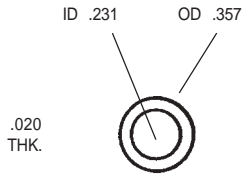
**32-55
COTTER PIN**



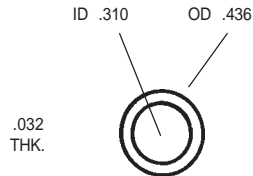
**G274
SECONDARY JET
TUBE O-RING**



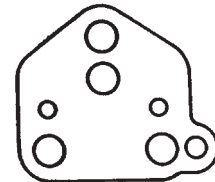
**G273
SECONDARY CONNECTING
TUBE O-RING**



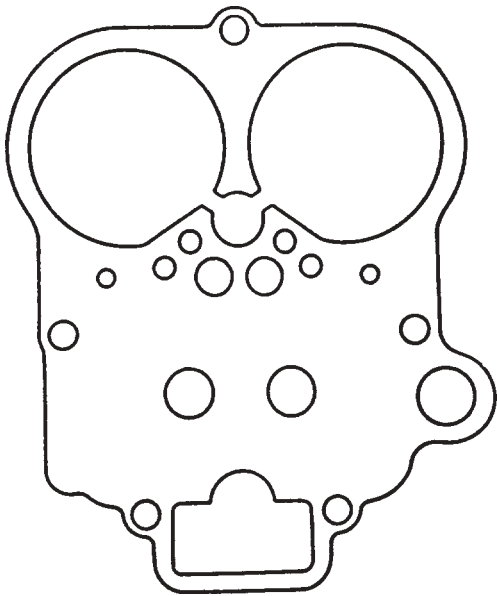
**244F
PUMP NOZZLE
WASHER**



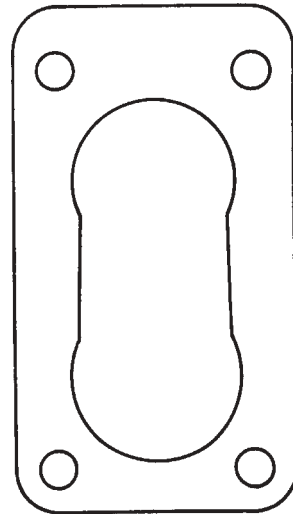
**G1144
FUEL VALVE
SEAT WASHER**



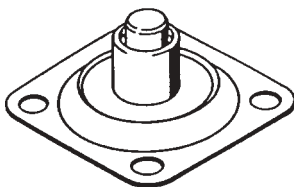
**601F
DIAPHRAGM ASSEMBLY
MOUNTING GASKET**



**600F
BOWL COVER GASKET**



**826F
FLANGE GASKET**



**761F
PUMP DIAPHRAGM
ASSEMBLY**



**31-686
NEEDLE & SEAT
ASSEMBLY**

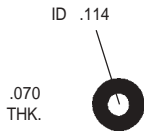
REFERENCE

**WALKER CARBURETOR
KIT #15639**

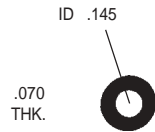
WEBER

"APPLICATION"

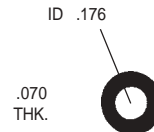
FIAT (4 cyl).....1980-75



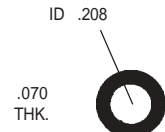
**G794
O-RING**



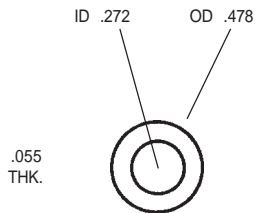
**G274
SECONDARY JET
TUBE O-RING**



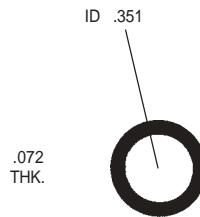
**G273
SEC. CONNECTING
TUBE O-RING**



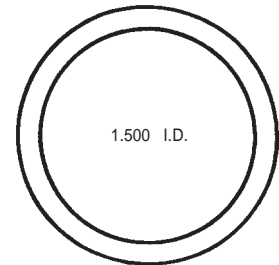
**G935
PUMP DISCHARGE
NOZZLE O-RING**



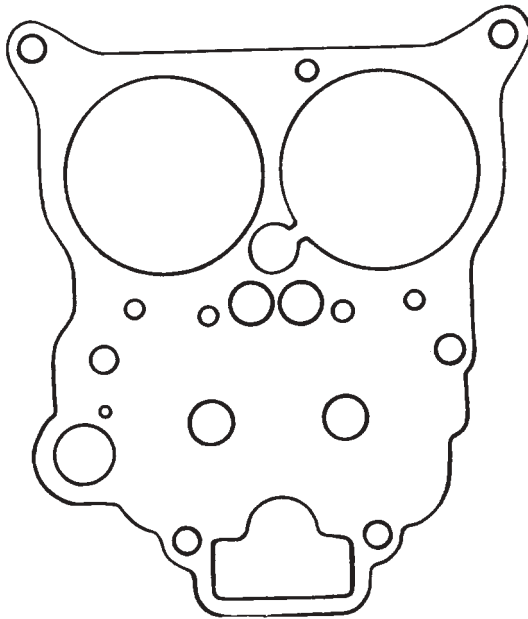
**470F
CHOKE WATER
HOUSING WASHER**



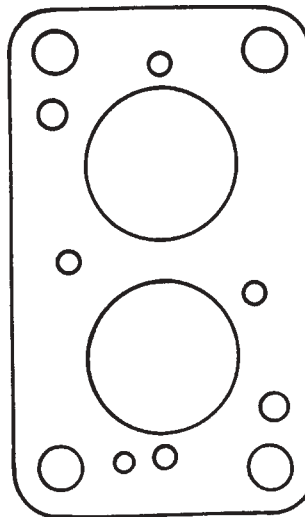
**1068F
IDLE SOLENOID
O-RING**



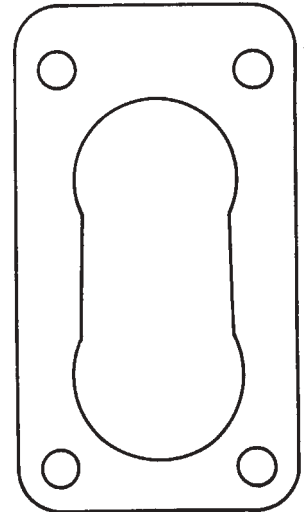
**318F
CHOKE WATER
HOUSING GASKET**



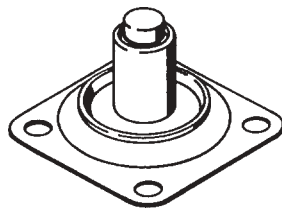
**569F
BOWL COVER
GASKET**



**676F
THROTTLE BODY
INSULATOR GASKET**



**826F
FLANGE GASKET**



**762F
PUMP DIAPHRAGM
ASSEMBLY**



**31-686
NEEDLE & SEAT
ASSEMBLY**

REFERENCE

**WALKER CARBURETOR
KIT #15640**

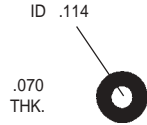
WEBER

"APPLICATION"

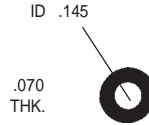
**FIAT (4 cyl).....1980-74
LANCIA (4 cyl).....1977-76**



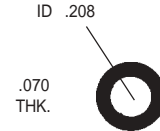
**62-42
"E" CLIP
RETAINER**



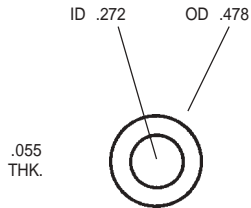
**G794
O-RING**



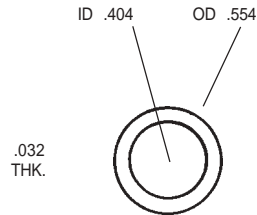
**G274
SECONDARY JET
TUBE O-RING**



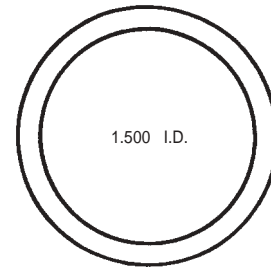
**G935
PUMP DISCHARGE
NOZZLE O-RING**



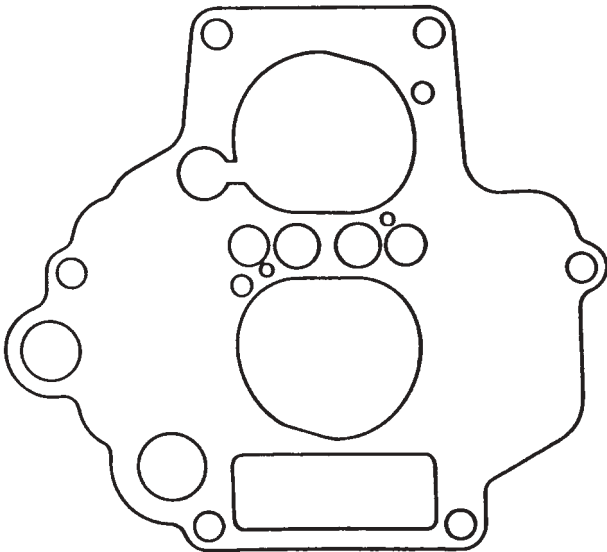
**470F
CHOKE WATER
HOUSING WASHER**



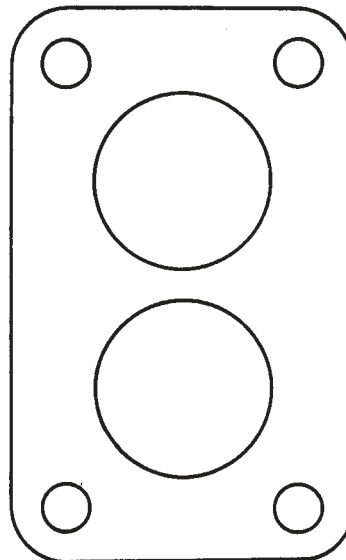
**397F
INLET FITTING
WASHER**



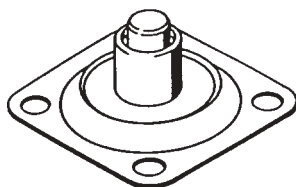
**318F
CHOKE WATER
HOUSING GASKET**



**570F
BOWL COVER GASKET**



**553F
FLANGE GASKET**



**301F
PUMP DIAPHRAGM
ASSEMBLY**

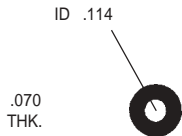


**31-616
NEEDLE & SEAT
ASSEMBLY**

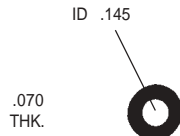
REFERENCE
WALKER CARBURETOR
KIT #15670

WEBER

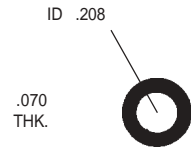
"APPLICATION"
FIAT (4 cyl).....1978-76



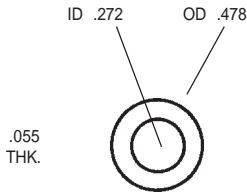
G794
O-RING



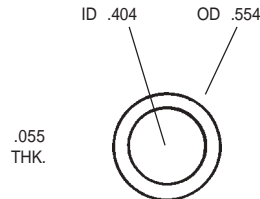
G274
SECONDARY JET
TUBE O-RING



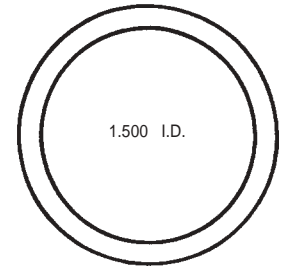
G935
PUMP DISCHARGE
NOZZLE O-RING



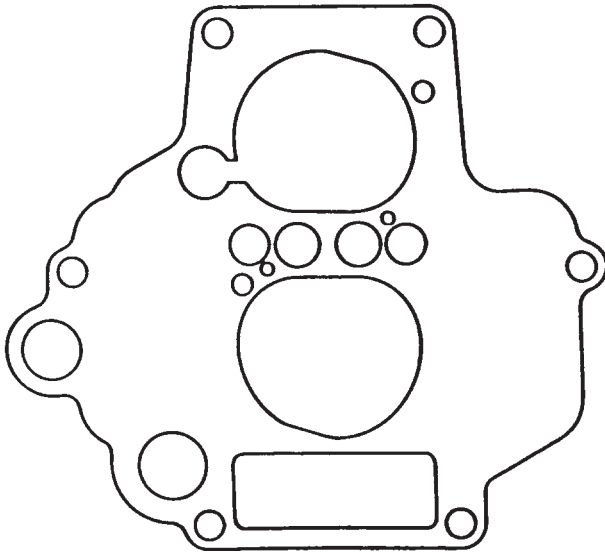
470F
CHOKE HOUSING
SCREW WASHER



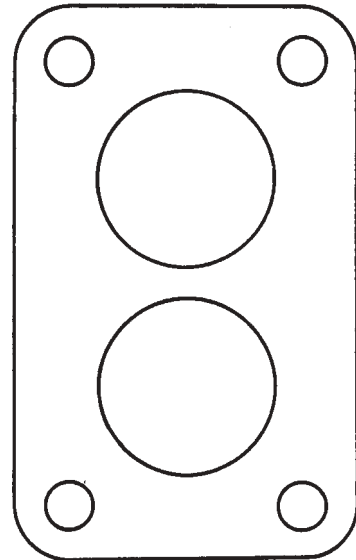
397F
INLET FITTING
WASHER



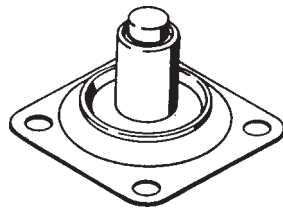
318F
CHOKE WATER
HOUSING GASKET



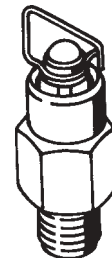
570F
BOWL COVER GASKET



553F
FLANGE GASKET



799F
PUMP DIAPHRAGM
ASSEMBLY



31-616
NEEDLE & SEAT
ASSEMBLY






REFERENCE

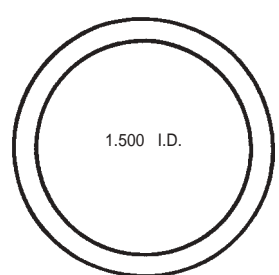
**WALKER CARBURETOR
KIT #15784**

WEBER

"APPLICATION"

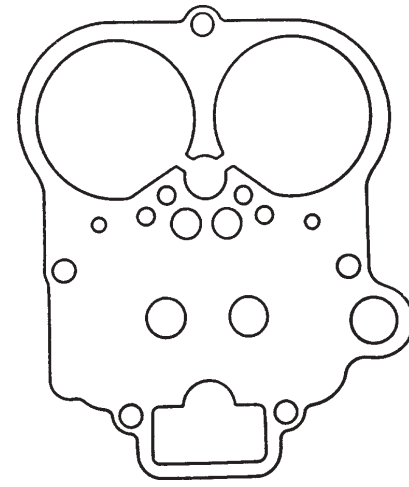
RENAULT (4 cyl).....1980-72

<p>ID .145 .070 THK.</p>  <p>G274 SEC. JET TUBE O-RING</p>	<p>ID .176 .070 THK.</p>  <p>G273 SEC. CONNECTING TUBE O-RING</p>	<p>ID .231 OD .357 .020 THK.</p>  <p>244F PUMP NOZZLE WASHER</p>	<p>ID .272 OD .478 .055 THK.</p>  <p>470F CHOKE WATER HOUSING WASHER</p>	<p>ID .412 OD .539 .020 THK.</p>  <p>923F IDLE SHUT-OFF SOLENOID WASHER</p>
--	---	--	---	---

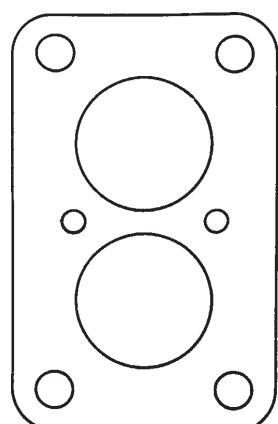


1.500 I.D.

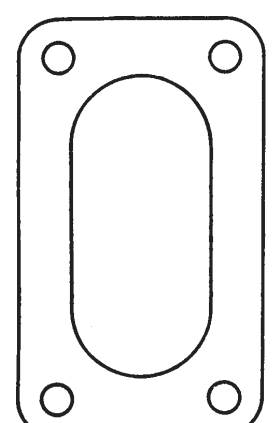
318F
CHOKE WATER
HOUSING GASKET



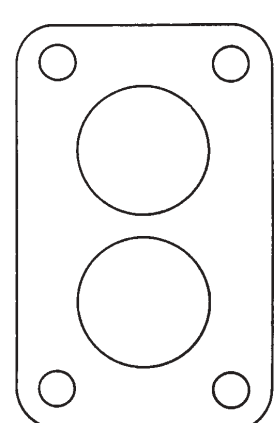
600F
BOWL COVER
GASKET



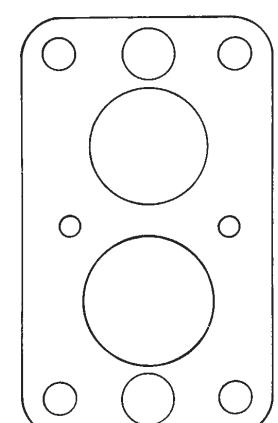
936F
THROTTLE BODY
GASKET



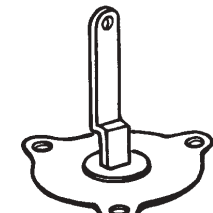
484F
FLANGE GASKET



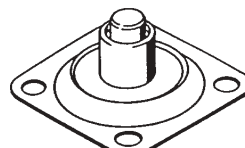
930F
FLANGE GASKET



931F
FLANGE GASKET



935F
CHOKE PULL-OFF
DIAPHRAGM ASSEMBLY



761F
PUMP DIAPHRAGM
ASSEMBLY



31-686
NEEDLE & SEAT
ASSEMBLY








REFERENCE





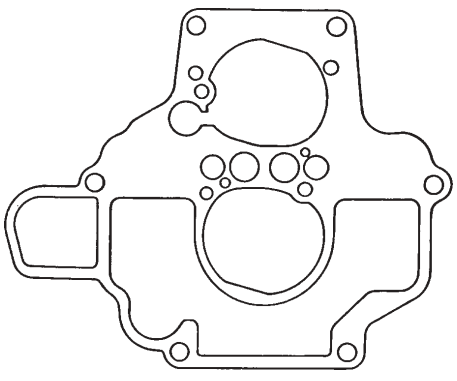
**WALKER CARBURETOR
KIT #15787C**

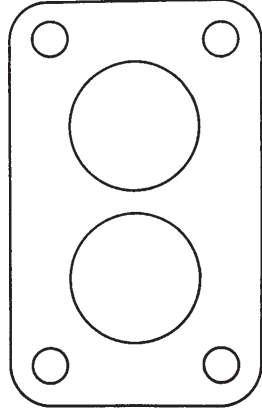
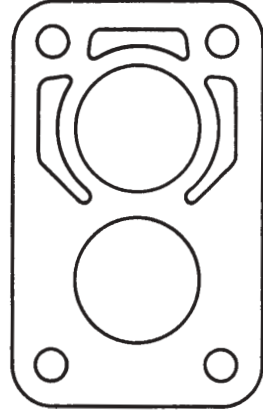
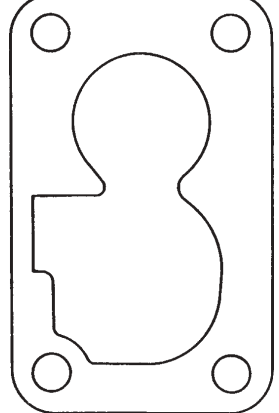

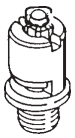
WEBER

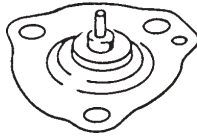
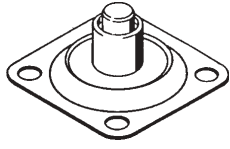
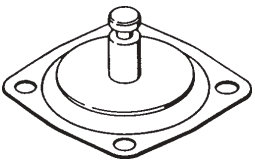
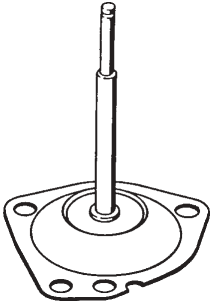
"APPLICATION"

**FIESTA (4 cyl).....1980-78
FORD/MERCURY (4 cyl).....1983-81**

						
0-120 IDLE PLUG	62-99 "E" CLIP RETAINER	925F CHOKE PULLDOWN PLUG	924F BOWL VENT SEAL	80-187 CHOKE COVER SCREW	66-85 POWER VALVE SPRING	G794 O-RING

 ID .145 .070 THK.	 ID .208 .070 THK.	 ID .404 OD .554 .041 THK.	 ID .475 OD .589 .046 THK.	
G274 SEC. JET TUBE O-RING	G935 PUMP DISCHARGE NOZZLE O-RING	977F SOLENOID WASHER	G1213 VENT VALVE WASHER	954F BOWL COVER GASKET

			
955F FLANGE GASKET	956F FLANGE GASKET	G1300 FLANGE SPACER GASKET	944F CHOKE COVER POP RIVET
			
			31-688 NEEDLE & SEAT ASSEMBLY

			
959F POWER VALVE DIAPHRAGM ASSEMBLY	957F PUMP DIAPHRAGM ASSEMBLY	958F THROTTLE KICKER DIAPHRAGM ASSEMBLY	771F CHOKE PULL-OFF DIAPHRAGM ASSEMBLY








REFERENCE

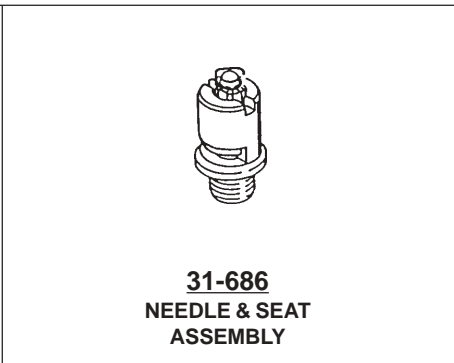
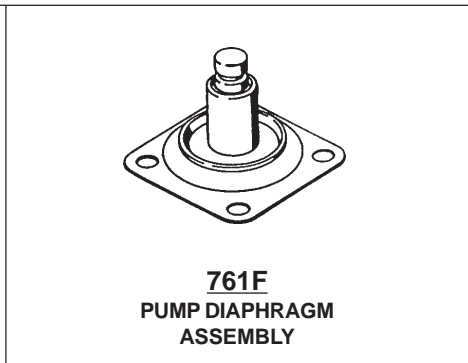
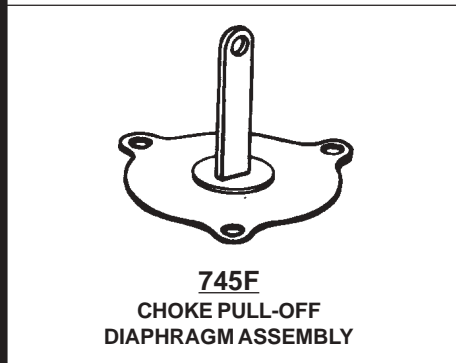
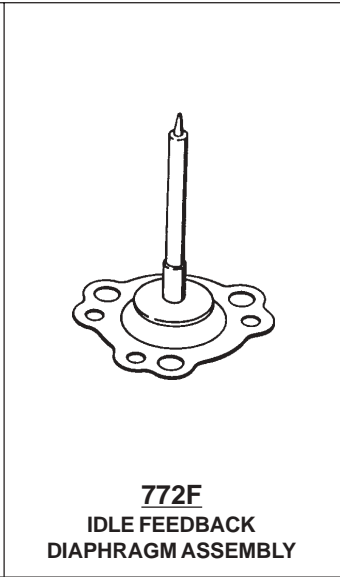
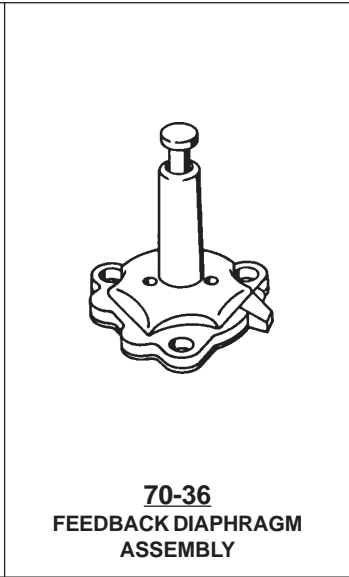
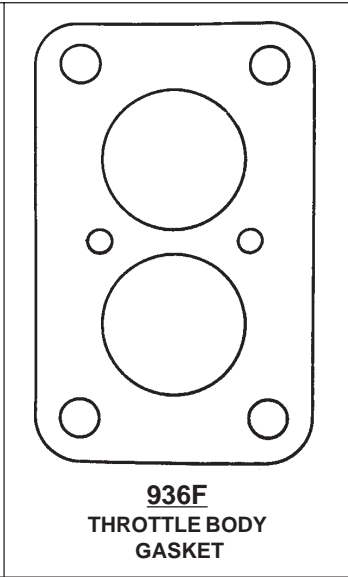
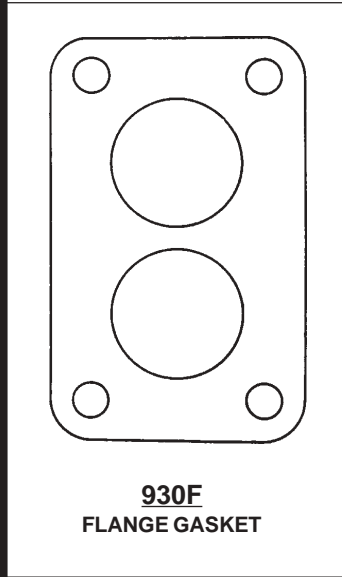
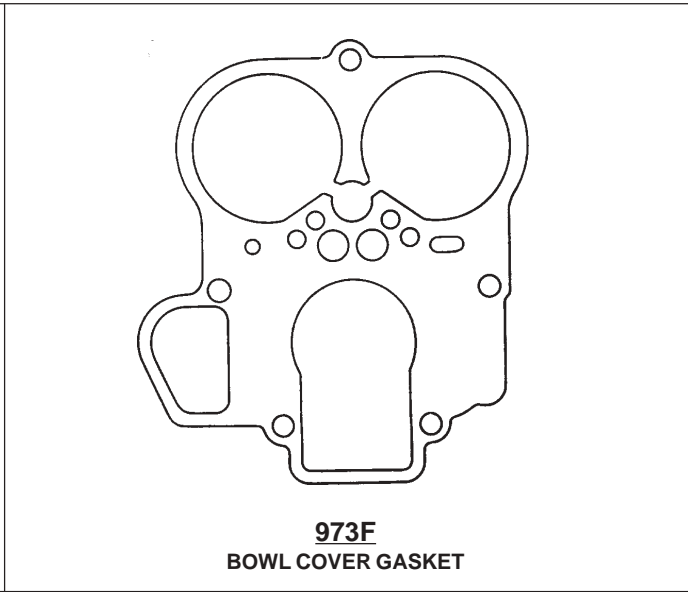
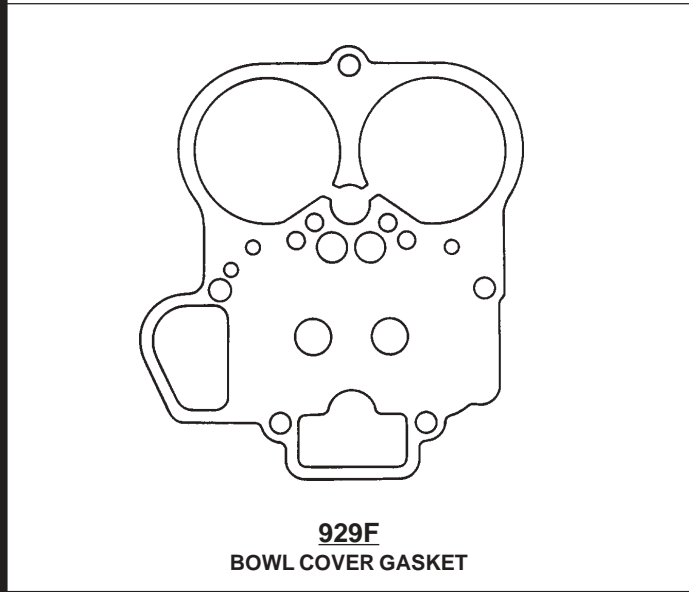
**WALKER CARBURETOR
KIT #15832**

WEBER

"APPLICATION"

RENAULT (4 cyl).....1985-81

 <p>85-195 NYLON CHOKE ROD RETAINER</p>	 <p>924F BOWL VENT SEAL</p>	 <p>ID .145 .070 THK.</p> <p>G274 SEC. JET TUBE O-RING</p>	 <p>ID .231 OD .357 .020 THK.</p> <p>244F PUMP NOZZLE WASHER</p>	 <p>ID .301 .054 THK.</p> <p>713F WATER HOUSING BOLT O-RING</p>	 <p>ID .412 OD .539 .020 THK.</p> <p>923F IDLE SHUT-OFF WASHER</p>	 <p>ID .483 OD .625 .044 THK.</p> <p>824F FUEL VALVE WASHER</p>
---	---	--	--	---	--	---









REFERENCE

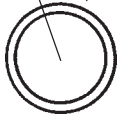


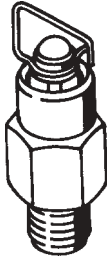
**WALKER CARBURETOR
KIT #151047**

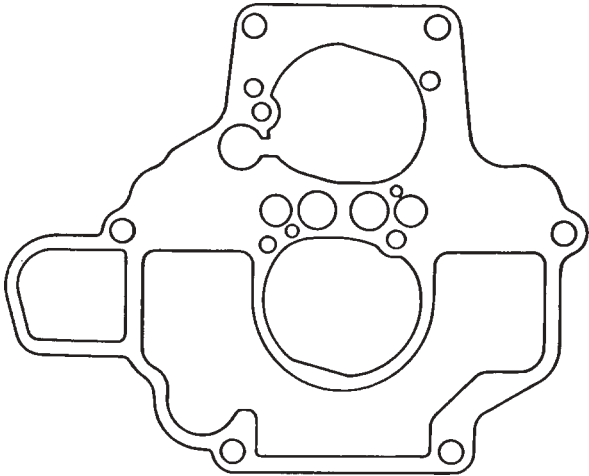
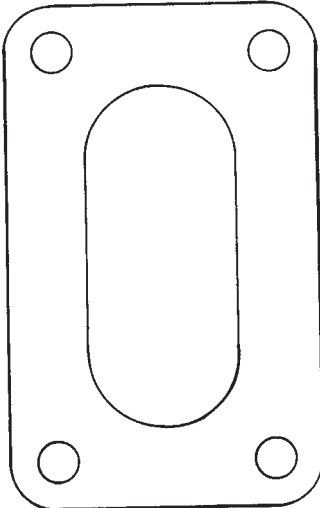
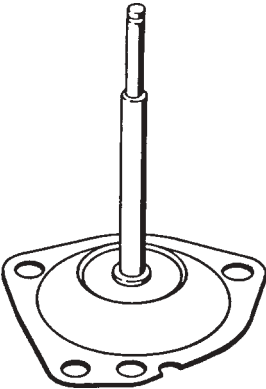
WEBER

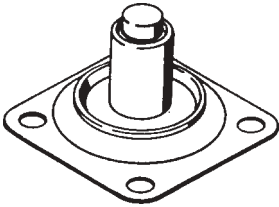
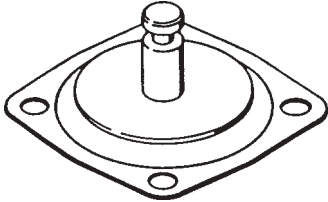
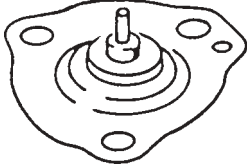
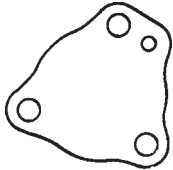
"APPLICATION"

YUGO (4 cyl).....1989-86

 <p>925F CHOKE PULLDOWN PLUG</p>	 <p>924F BOWL VENT SEAL</p>	<p>ID .114</p>  <p>.070 THK.</p> <p>G794 O-RING</p>	<p>ID .145</p>  <p>.070 THK.</p> <p>G274 SEC. JET TUBE O-RING</p>	<p>ID .208</p>  <p>.070 THK.</p> <p>G935 PUMP DISCHARGE NOZZLE O-RING</p>	<p>ID .404 OD .554</p>  <p>.041 THK.</p> <p>977F SOLENOID WASHER</p>
--	---	---	--	---	---

<p>ID .475 OD .589</p>  <p>.046 THK.</p> <p>G1213 VENT VALVE SOLENOID WASHER</p>	 <p>66-85 POWER VALVE SPRING</p>	 <p>905F CHOKE COVER POP RIVET</p>	 <p>31-616 NEEDLE & SEAT ASSEMBLY</p>
---	--	--	---

 <p>954F BOWL COVER GASKET</p>	 <p>1116F FLANGE GASKET</p>	 <p>771F CHOKE PULL-OFF DIAPHRAGM ASSEMBLY</p>
---	---	--

 <p>799F PUMP DIAPHRAGM ASSEMBLY</p>	 <p>958F THROTTLE KICKER DIAPHRAGM ASSEMBLY</p>	 <p>959F POWER VALVE DIAPHRAGM ASSEMBLY</p>	 <p>1249F DIAPHRAGM COVER GASKET</p>
--	---	--	--