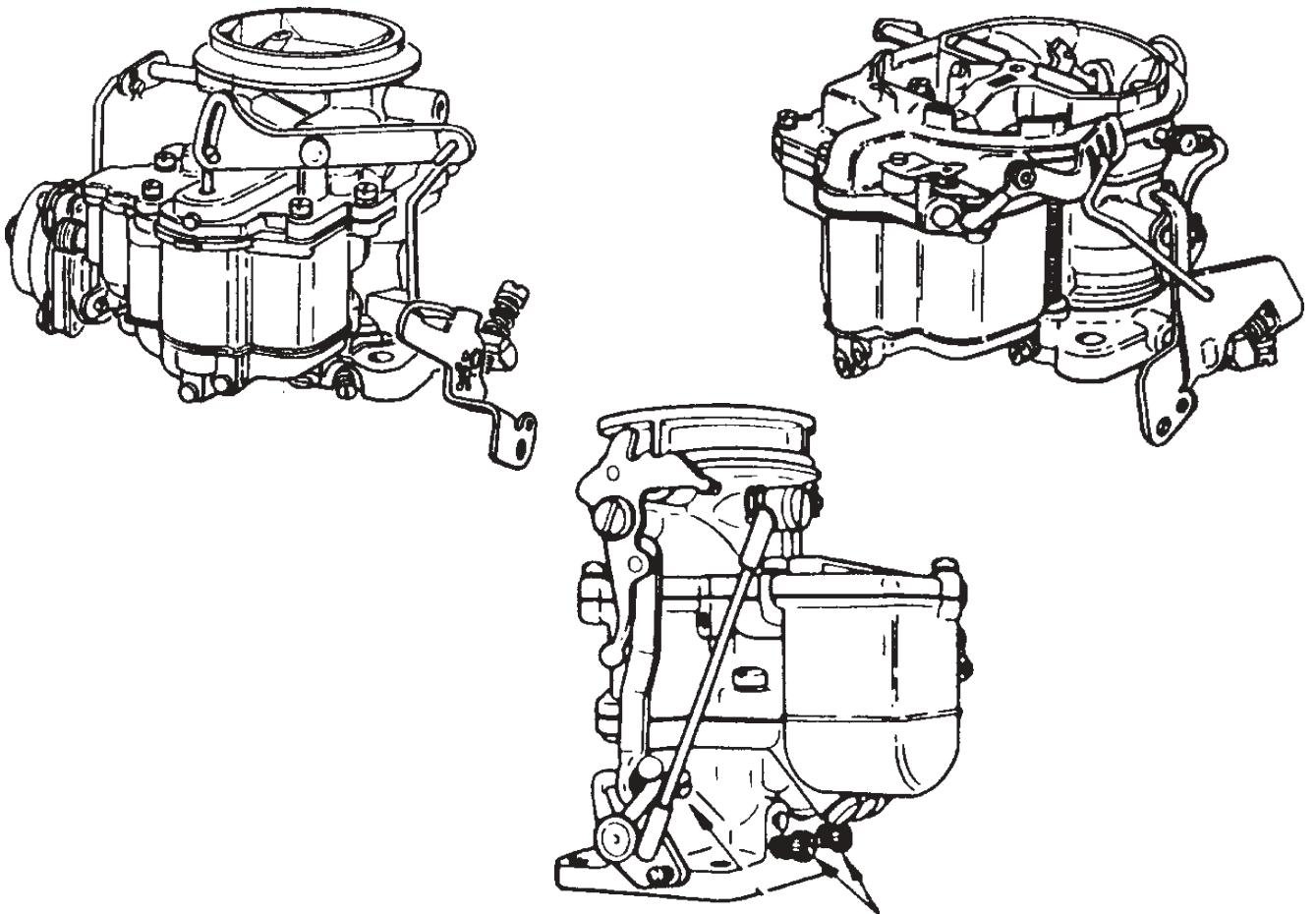




WALKER PRODUCTS STROMBERG INDEX

2 BARREL APPLICATIONS:

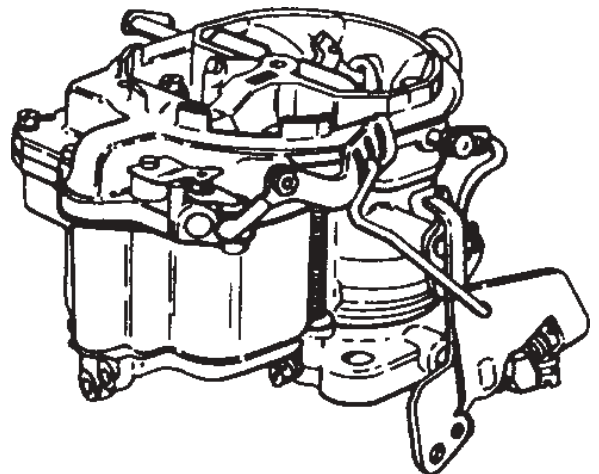
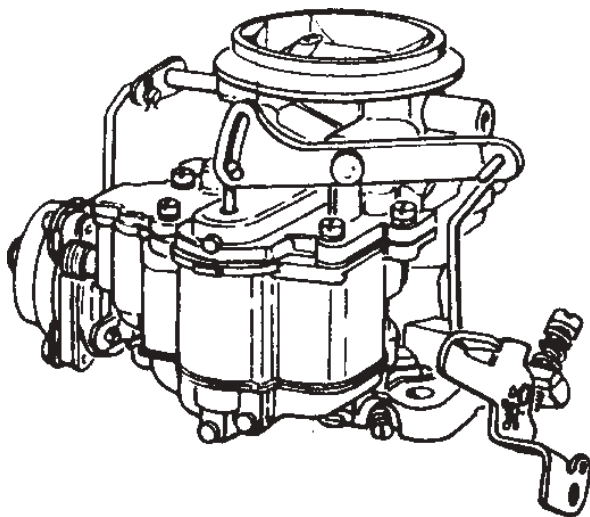
	<i>Page #</i>
WW, WWC	1-9
EE-1	10-12
AA-1, AA-2, AAV, AAVB, AAUVB	13-14



Walker Products Inc.
3600 S. San Pedro St., Los Angeles, CA 90011
(323) 232-3359 FAX (323) 232-3332

STROMBERG

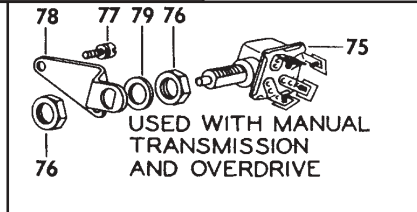
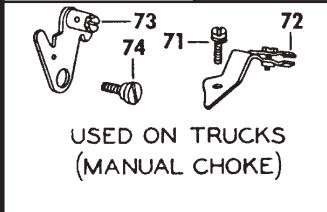
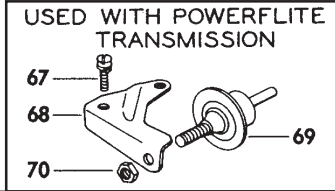
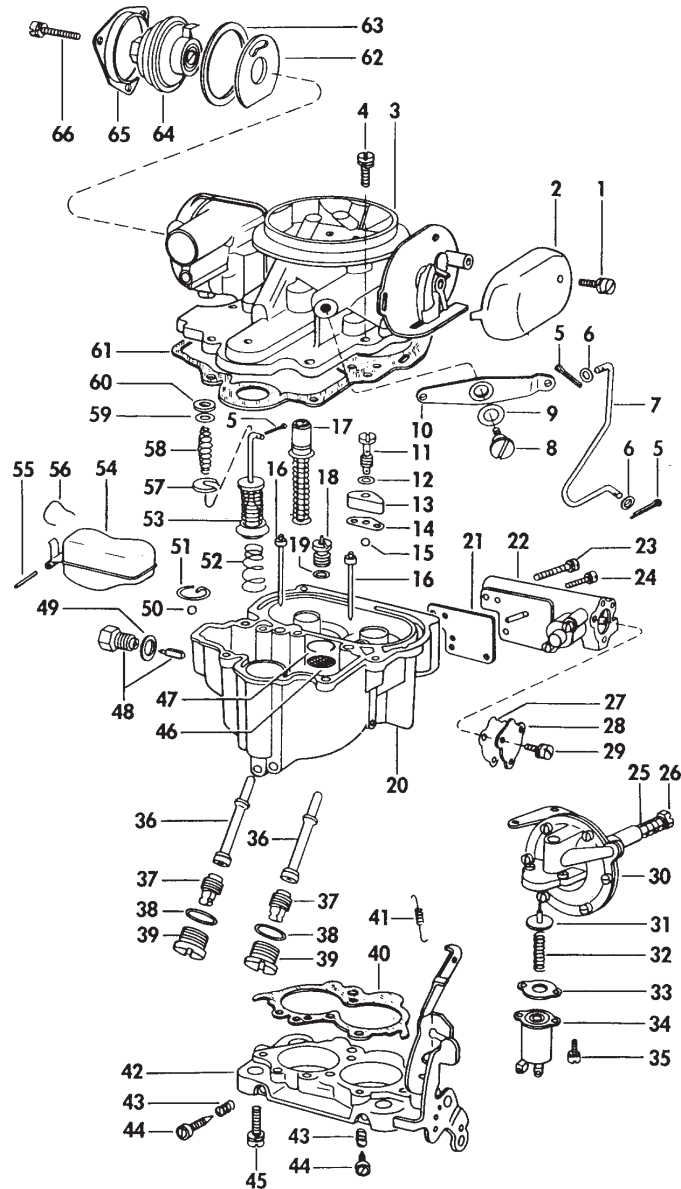
"WW, WWC"



APPLICATION

CHEV/GMC TRUCK (6,12 cyl)	1962-74
CHRYSLER (8 cyl)	1961-67
DESOTO (8 cyl)	1961
DODGE (8 cyl)	1960-67
DODGE TRUCK (8 cyl)	1961-69
PLYMOUTH (8 cyl)	1960-67
PLYMOUTH TRUCK (8 cyl)	1961-69

EARLY MODELS



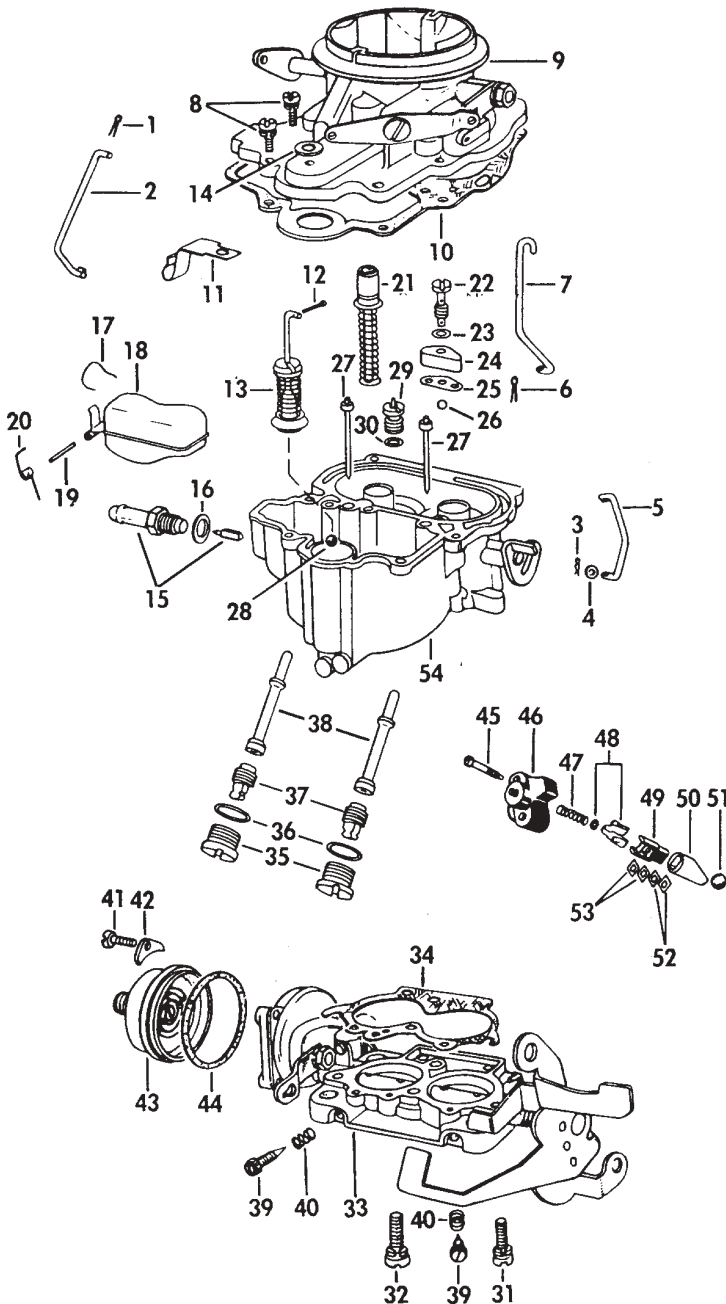
REF#	NOMENCLATURE	PART#
1	SCREW & WASHER ASSEMBLY	**
2	COVER-FAST IDLE	
3	AIR HORN ASSEMBLY	
4	SCREW & WASHER ASSEMBLY	**
5	PIN-COTTER	SEE PAGE 6
6	WASHER-PUMP ROD	SEE PAGE 7
7	ROD-PUMP	SEE PAGE 7
8	SCREW-PUMP LEVER	**
9	WASHER-PUMP LEVER	
10	LEVER-PUMP	
11	SCREW-PUMP DISCHARGE NOZZLE	**
12	GASKET-PUMP DISCH. NOZZLE SCREW	G1158
13	NOZZLE-PUMP DISCHARGE	
14	GASKET-PUMP DISCHARGE NOZZLE	G160
15	BALL-PUMP OUTLET CHECK	SEE PAGE 6
16	TUBE-IDLE	
17	PISTON ASSEMBLY-VACUUM POWER	
18	JET-POWER BY PASS	
19	GASKET-POWER BY PASS JET	G80
20	MAIN BODY	
21	GASKET-KICKDOWN SWITCH HOUSING	
22	HOUSING-KICKDOWN SWITCH	
23	SCREW & WASHER ASSEMBLY	**
24	SCREW & WASHER ASSEMBLY	**
25	SPRING-DASHPOT PLUNGER SCREW	
26	SCREW-DASHPOT PLUNGER	**
27	GASKET-PISTON RETAINER PLATE	
28	PLATE-PISTON RETAINER	
29	SCREW & WASHER ASSEMBLY	**
30	DASHPOT ASSEMBLY	
31	PLUNGER-SOLENOID	
32	SPRING-PLUNGER	
33	GASKET-SOLENOID HOUSING	
34	SOLENOID ASSEMBLY-DASHPOT	
35	SCREW & WASHER ASSEMBLY	**
36	JET-MAIN DISCHARGE (Nozzle)	
37	JET-MAIN METERING	SEE PAGE 6
38	GASKET-METERING JET PLUG	
39	PLUG-MAIN DISCHARGE JET	
40	GASKET-MAIN BODY	SEE PAGE 8
41	SPRING-FAST IDLE	
42	THROTTLE BODY	
43	SPRING-IDLE NEEDLE VALVE	SEE PAGE 7
44	VALVE-IDLE NEEDLE	SEE PAGE 6
45	SCREW & WASHER ASSEMBLY	**
46	SCREEN-PUMP	
47	RETAINER-PUMP SCREEN	
48	NEEDLE & SEAT ASSEMBLY	SEE PAGE 9
49	GASKET-NEEDLE SEAT	1234F
50	BALL-PUMP INLET CHECK	SEE PAGE 6
51	RETAINER-CHECK BALL	67-14
52	SPRING-PUMP PLUNGER	
53	PISTON ASSEMBLY-PUMP	
54	FLOAT ASSEMBLY	
55	PIN-FLOAT	32-32
56	SPRING-FLOAT PIN	67-100
57	WASHER-SPRING CUP	
58	SPRING-PACKING RETAINER	
59	WASHER-PUMP LINK SEAL	SEE PAGE 7
60	PACKING-PUMP	SEE PAGE 7
61	GASKET-AIR HORN	SEE PAGE 8
62	BAFFLE-CHOKE HOUSING	
63	GASKET-THERMOSTAT COVER	SEE PAGE 7
64	THERMOSTAT & COVER ASSEMBLY	
65	RETAINER-THERMOSTAT COVER	
66	SCREW & WASHER ASSEMBLY	**

The following parts are not used on all models

67	SCREW & WASHER ASSEMBLY	**
68	BRACKET-DASHPOT	
69	DASHPOT ASSEMBLY	
70	NUT-DASHPOT	
71	SCREW & WASHER ASSEMBLY	**
72	HOLDER-CHOKE TUBE	**
73	LEVER-CHOKE	**
74	SCREW-CHOKE LEVER	**
75	SWITCH-OVERDRIVE KICKDOWN	**
76	NUT-KICKDOWN SWITCH ADJUSTING	**
77	SCREW & WASHER ASSEMBLY	**
78	BRACKET-KICKDOWN SWITCH	**
79	WASHER-SPACER	**

(**) REFER TO SCREW CATALOG

LATE MODELS

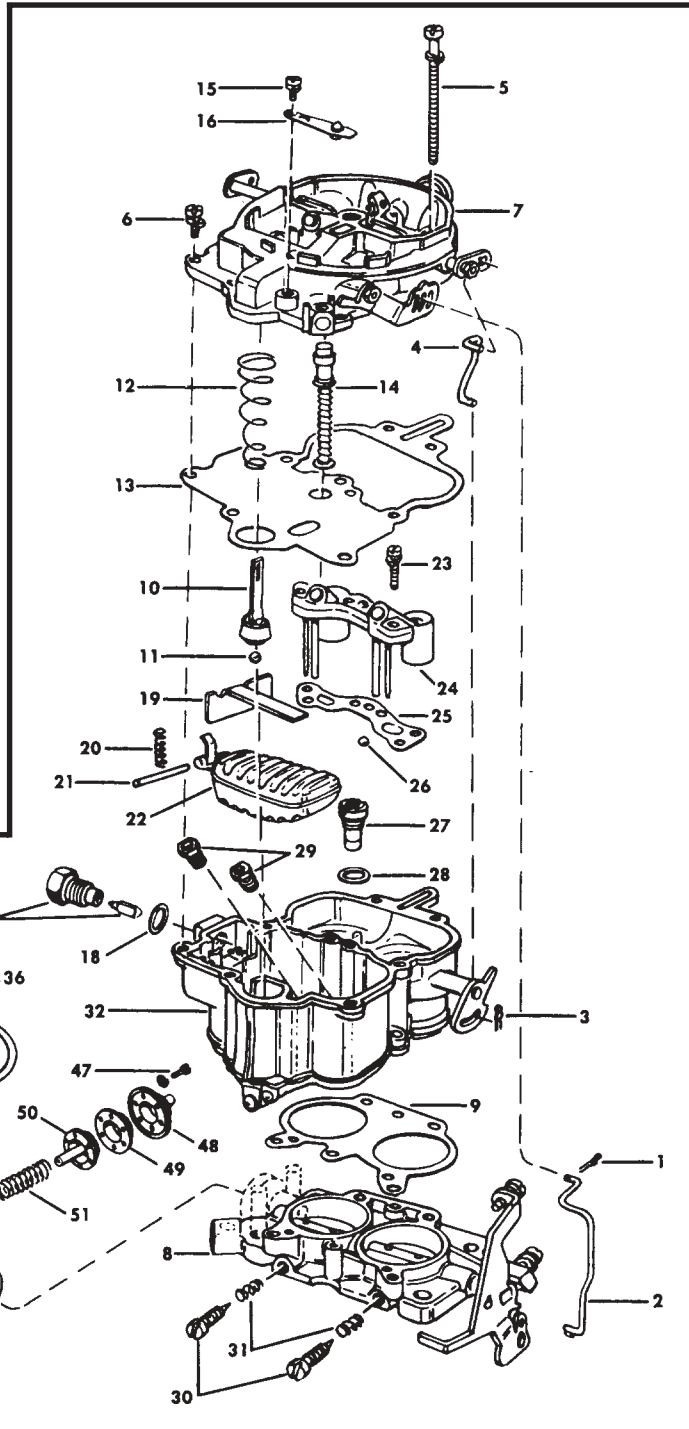


REF#	NOMENCLATURE	PART#
1)	PIN-COTTER	SEE PAGE 6
2)	ROD-CHOKE CONNECTOR	SEE PAGE 7
3)	SPRING-PIN	
4)	WASHER	
5)	LINK-UNLOADER	SEE PAGE 7
6)	PIN-COTTER	SEE PAGE 6
7)	ROD-PUMP	SEE PAGE 7
8)	SCREW & WASHER ASSEMBLY	**
9)	AIR HORN ASSEMBLY	
10)	GASKET-AIR HORN	SEE PAGE 8
11)	CLIP-CABLE	
12)	PIN-COTTER	SEE PAGE 6
13)	PUMP-PLUNGER ASSEMBLY	
14)	WASHER-PUMP PLUNGER	
15)	NEEDLE & SEAT ASSEMBLY	SEE PAGE 9
16)	GASKET-NEEDLE SEAT	1234F
17)	SPRING-FLOAT PIN	67-100
18)	FLOAT ASSEMBLY	
19)	PIN-FLOAT	32-32
20)	SPRING-FLOAT	
21)	VACUUM POWER PISTON ASSEMBLY	
22)	SCREW-PUMP DISCHARGE NOZZLE	**
23)	GASKET-PUMP DISCH. NOZZLE SCREW G1158	
24)	NOZZLE-PUMP DISCHARGE	
25)	GASKET-PUMP DISCHARGE NOZZLE	G160
26)	BALL-PUMP OUTLET CHECK	SEE PAGE 6
27)	TUBE-IDLE	
28)	BALL-PUMP INLET CHECK	SEE PAGE 6
29)	JET-POWER BY PASS	
30)	GASKET-POWER BY PASS JET	G80
31)	SCREW & WASHER ASSEMBLY (Short) ..	**
32)	SCREW & WASHER ASSEMBLY (Long) ..	**
33)	THROTTLE BODY ASSEMBLY	
34)	MAIN DOBY GASKET	SEE PAGE 8
35)	PLUG-MAIN DISCHARGE JET	
36)	GASKET-MAIN JET PLUG	
37)	JET-MAIN METERING	SEE PAGE 6
38)	JET-MAIN DISCHARGE (Nozzle)	
39)	VALVE-IDLE NEEDLE	SEE PAGE 6
40)	SPRING-IDLE NEEDLE VALVE	SEE PAGE 7
41)	SCREW (Self-Tapping)	**
42)	RETAINER-THERMOSTAT COVER	SEE PAGE 6
43)	THERMOSTAT & COVER ASSEMBLY	
44)	GASKET-THERMOSTAT COVER	SEE PAGE 7
45)	SCREW-STARTER SWITCH COVER	**
46)	STAR SWITCH COVER	
47)	SPRING-SWITCH RETURN	
48)	SPRING-SWITCH CONTACT	
49)	BLOCK-SWITCH GUIDE	
50)	PLUNGER-SWITCH	
51)	BALL-SWITCH	
52)	WASHER-SWITCH ADJUSTMENT	
53)	WASHER-SWITCH ADJUSTMENT	
54)	MAIN BODY	

(**) REFER TO SCREW CATALOG

(**) REFER TO SCREW CATALOG

REF#	NOMENCLATURE	PART#
1)	PIN-COTTER	SEE PAGE 6
2)	ROD-PUMP	SEE PAGE 7
3)	PIN-COTTER	SEE PAGE 6
4)	LINK-UNLOADER	
5)	SCREW & LOCKWASHER ASSEMBLY	**
6)	SCREW & LOCKWASHER ASSEMBLY	**
7)	AIR HORN ASSEMBLY	
8)	THROTTLE BODY ASSEMBLY	SEE PAGE 8
9)	GASKET-MAIN BODY	SEE PAGE 8
10)	PUMP PLUNGER ASSEMBLY	SEE PAGE 9
11)	BALL-PUMP INTAKE CHECK	SEE PAGE 6
12)	SPRING-PUMP PLUNGER	
13)	GASKET-AIR HORN	SEE PAGE 8
14)	PISTON ASSEMBLY-VACUUM POWER	
15)	SCREW & LOCKWASHER ASSEMBLY	**
16)	VALVE ASSEMBLY-BOWL VENT	
17)	NEEDLE & SEAT ASSEMBLY	SEE PAGE 9
18)	NEEDLE SEAT GASKET	1234F
19)	FUEL BAFFLE	
20)	SPRING-PIN FLOAT	66-86
21)	PIN-FLOAT	32-32
22)	FLOAT ASSEMBLY	
23)	SCREW & LOCKWASHER-VENTURI	**
24)	VENTURI CLUSTER ASSEMBLY	
25)	GASKET-VENTURI CLUSTER	G514
26)	BALL-PUMP OUTLET CHECK	SEE PAGE 6
27)	JET-POWER BY PASS	
28)	GASKET-POWER BY PASS JET	G80
29)	JET-MAIN METERING	SEE PAGE 6
30)	VALVE-IDLE NEEDLE	SEE PAGE 6
31)	SPRING-IDLE NEEDLE VAVLE	SEE PAGE 7
32)	MAIN BODY ASSEMBLY	

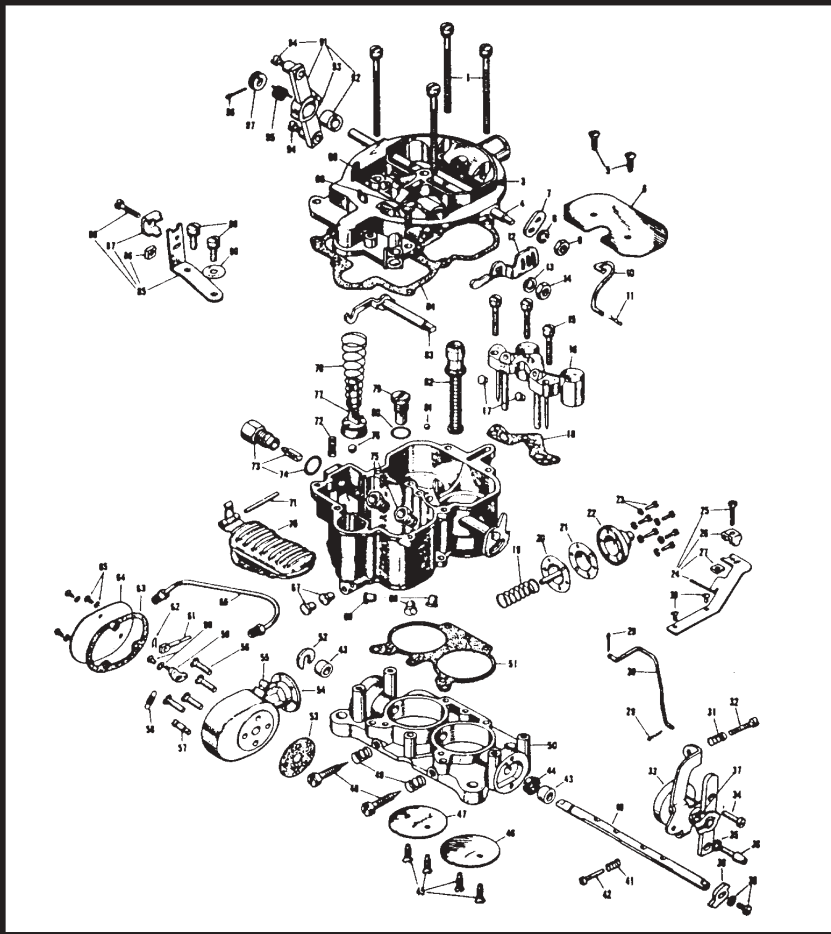


The following parts are used on governor-equipped carburetors.

REF#	NOMENCLATURE	PART#	REF#	NOMENCLATURE	PART#
33)	SCREW & LOCKWASHER ASSY.	**	38)	SPRING-LEVER RETURN	
34)	COVER-GOV. HOUSING		39)	LINK-VACUUM	
35)	GASKET-GOV. HOUSING COVER	G815	40)	SCREW-LEVER ATTACHING	**
36)	LINE-GOV. VACUUM		41)	WASHER-SCREW LEVER ATTACHING	SEE PAGE 7
37)	PIN-COTTER	SEE PAGE 6	42)	LEVER	
			43)	SCREW-FLAT HEAD	**
			44)	SCREW-SHOULDER	75-26
			45)	HOUSING-GOV.	
			46)	GASKET-GOV. HOUSING	G675
			47)	SCREW & LOCKWASHER ASSY.	**
			48)	COVER-DIAPH. HOUSING	
			49)	BAFFLE-DIAPH.HOUSING	
			50)	DIAPHRAGM ASSEMBLY	
			51)	SPRING-DIAPHRAGM RETURN	SEE PAGE 7

WITH GOVERNOR

































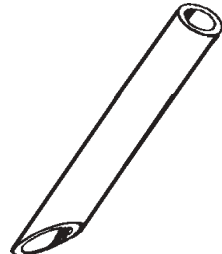
(**) REFER TO SCREW CATALOG



REF#	NOMENCLATURE	PART#
53)	GASKET-GOV. HOUSING FLANGE	G675
54)	HOUSING-GOVERNOR THROTTLE	
55)	CONNECTOR-GOVERNOR AIR	
56)	SCREW & LCKWASHER GOV. THROTTLE	**
57)	SCREW-SPRING ANCHOR	**
58)	SPRING-GOVERNOR	
59)	LEVER & PIN-GOVERNOR THROTTLE	
60)	SCREW & LCKWASHER GOV. THR. LEVER	**
61)	LINK-GOVERNOR DIAPHRAGM	
62)	RETAINER-DIAPHRAGM LINK	
63)	GASKET-HOUSING COVER	G815
64)	COVER-GOVERNOR HOUSING	
65)	SCREW & LCKWASHER-HOUSING COVER	**
66)	GOVERNOR AIR LINE	
67)	PLUG-DRIVE	
68)	PLUG-IDLE VENT CHANNEL	
69)	PLUG-DRIVE	
70)	FLOAT & LEVER	
71)	PIN-FLOAT	32-32
72)	SPRING-PIN FLOAT	66-86
73)	NEEDLE & SEAT ASSEMBLY	SEE PAGE 9
74)	GASKET-NEEDLE SEAT	1234F
75)	JET-MAIN METERING	SEE PAGE 6
76)	BALL-PUMP OUTLET CHECK	SEE PAGE 6
77)	PUMP PISTON	SEE PAGE 9
78)	SPRING-PUMP	SEE PAGE 7
79)	JET-POWER BY PASS	
80)	GASKET-POWER BY PASS JET	G80
81)	BALL-PUMP INLET CHECK	SEE PAGE 6
82)	PISTON-VACUUM POWER	
83)	LEVER & SHAFT-PUMP	
84)	GASKET-AIR HORN	SEE PAGE 8
85)	HOLDER-CHOKE TUBE (Upper)	
86)	NUT-CHOKE TUBE HOLDER	
87)	CLAMP-CHOKE TUBE	
88)	SCREW-CHOKE TUBE HOLDER	**
89)	SCREW & LCKWASHER-AIR HORN	**
90)	IDENTIFICATION TAG	
91)	CHOKE LEVER	
92)	BUSHING-CHOKE LEVER	
93)	SCREW-CHOKE LEVER	**
94)	SCREW-WIRE CONNECTOR	**
95)	SPRING-CHOKE	SEE PAGE 7
96)	COTTER PIN-CHOKE SPRING	SEE PAGE 6
97)	RETAINER-CHOKE SPRING	
*	WASHER-PUMP ROD	

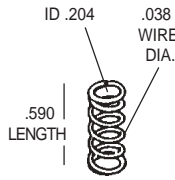
REF#	NOMENCLATURE	PART#	REF#	NOMENCLATURE	PART#
1)	SCREW & LOCKWASHER	**	27)	NUT-CHOKE TUBE HOLDER CLAMP	
2)		28)	SCREW & LCKWASHER CHOKE TUBE	**
3)	AIR HORN		29)	COTTER PIN-PUMP ROD	SEE PAGE 6
4)	SHAFT & PIN-CHOKE		30)	PUMP ROD	SEE PAGE 7
5)	SCREW-CHOKE VALVE	**	31)	SPRING-FAST IDLE SCREW	SEE PAGE 7
6)	VALVE-CHOKE		32)	SCREW-FAST IDLE	**
7)	LEVER-FAST IDLE		33)	THROTTLE DRIVER	
8)	LOCKWASHER-FAST IDLE		34)	SCREW & LCKWASHER DRIVER	**
9)	NUT-FAST IDLE		35)	LOCKWASHER-DRIVER HOUSING	
10)	ROD-FAST IDLE		36)	SCREW-THROTTLE STOP	**
11)	RETAINER-FAST IDLE ROD		37)	SCREW-THROTTLE LEVER	**
12)	LEVER-PUMP SHAFT		38)	SCREW & LCKWASHER-THR. DRIVER	**
13)	LOCKWASHER-PUMP LEVER NUT		39)	THROTTLE DRIVER	
14)	NUT-PUMP SHAFT LEVER	**	40)	SHAFT-THROTTLE	
15)	SCREW & LOCKWASHER-VENTURI		41)	SPRING-SLOW IDLE SCREW	SEE PAGE 7
16)	VENTURI CLUSTER ASSEMBLY		42)	SCREW-SLOW IDLE	**
17)	BLEEDER-SEC. HIGH SPEED		43)	BEARING-THROTTLE SHAFT	
18)	GASKET-VENTURI CLUSTER	G518	44)	SEAL-THROTTLE SHAFT	
19)	SPRING-GOV. DIAPHRAGM		45)	SCREW-THROTTLE VALVE	**
20)	DIAPH. & STEM-GOV.		46)	VALVE-THROTTLE (Left)	
21)	DIAPHRAGM-GOVERNOR		47)	VALVE-THROTTLE (Right)	
22)	COVER-GOVERNOR DIAPHRAGM		48)	VALVE-IDLE NEEDLE	SEE PAGE 6
23)	SCREW & LCKWASHER-DIAPHRAGM	**	49)	SPRING-IDLE NEEDLE VALVE	SEE PAGE 7
24)	HOLDER-CHOKE TUBE		50)	THROTTLE BODY	
25)	SCREW-CHOKE TUBE CLAMP	**	51)	GASKET-MAIN BODY	SEE PAGE 8
26)	CLAMP-CHOKE TUBE		52)	WASHER-THROTTLE SHAFT	

* Part is not illustrated

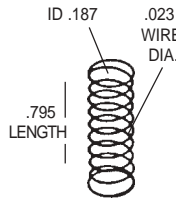
 83-1 CHECK BALL (5/32" Lead)	 83-3 CHECK BALL (3/16" Lead)	 90-21 CHECK BALL (1/8" Steel)	 90-13 CHECK BALL (3/16" Steel)	 62-56 ROD RETAINER	 62-46 CHOKE ROD RETAINER
 32-11 COTTER PIN 3/64"X3/8"	 32-10 COTTER PIN 3/64"X1/2"	 32-20 COTTER PIN 1/16"X7/16"	 62-42 E-CLIP RETAINER	 67-14 CHECK BALL RETAINER	 62-44 ROD CLIP RETAINER
 62-62 RETAINER	 67-100 FLOAT PIN RETAINER	 85-203 CHOKE COVER RETAINER	 85-297 CHOKE COVER RETAINER	 0-86 RIVET PLUG (Aluminum)	 85-48 EXPANSION PLUG (5/8" Aluminum)
 85-51 EXPANSION PLUG (3/4" Alum.)	<p style="text-align: center;">Metering Jets</p>  Pilot Hole 120-14 (.035 BLANK) 120-15 (.074)	 80-5 CHOKE & THROTTLE PLATE SCREW (6-32X5/16")	 16-1 IDLE MIXTURE SCREW (10-32X1.071)	 16-11 IDLE MIXTURE SCREW (10-32X1.206)	
 75-26 SHOULDER SCREW	 75-36 THROTTLE LEVER SCREW	<p style="text-align: center;">1/4" Ball</p>  .763" Length .241" Press Fit 22-24X THROTTLE LEVER BALL STUD	<p style="text-align: center;">9/32" Ball</p>  .890" Length 10-32 Threads 22-16 THROTTLE LEVER BALL STUD	 G681 RUBBER VENT VALVE	
 32-32 FLOAT PIN OD .125"X.965" Length	 17-53 BRASS TUBE OD .312"X.717" Length	 17-139 BRASS TUBE OD .190"X.986" Length	 17-40 STEEL TUBE OD .375"X1.365" Length	 17-7-1 VENT TUBE OD .250"X1.615" Length	



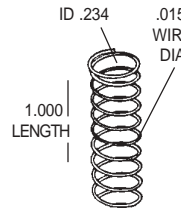
66-10
CHOKE PULL-OFF
BACK SPRING



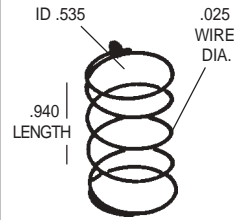
66-51
IDLE ADJUSTING
SCREW SPRING



66-86
FLOAT PIN
SPRING



66-131
IDLE ENRICHMENT
DIAPH. SPRING



66-37
FUEL FILTER
INLET SPRING



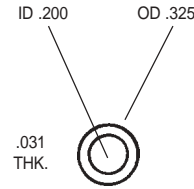
50-31
PUMP CONNECTOR
LINK



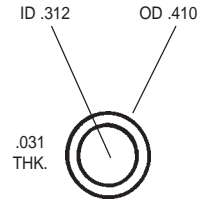
R55
ROD



R57
ROD



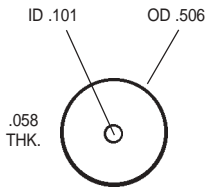
G1158
PUMP DISCHARGE
NOZZLE GASKET (Fiber)



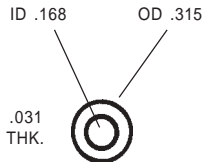
G59
FUEL INLET
GASKET (Fiber)



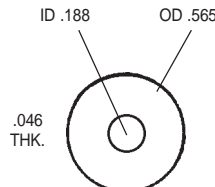
50-32
PUMP CONNECTOR
LINK



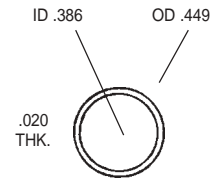
G62
PUMP
WASHER (Felt)



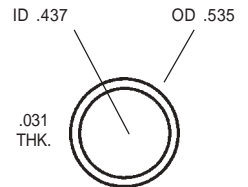
G74
WASHER
(Fiber)



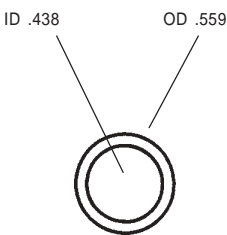
85-23
PLUNGER
WASHER (Steel)



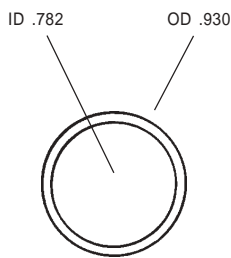
G45D
WASHER
(Copper)



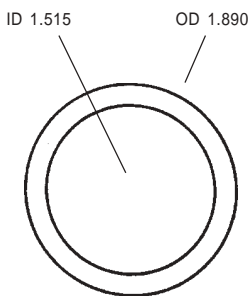
G45C
WASHER
(Copper)



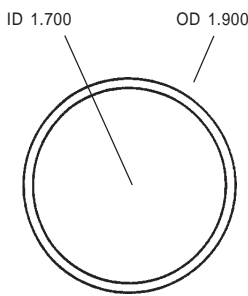
G80
POWER JET
GASKET (Fiber)



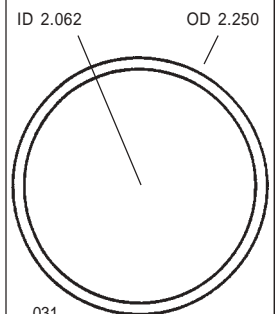
G816
FUEL INLET FITTING
GASKET (Nylon)



G97-2
THERMOSTAT
COVER GASKET



G398
THERMOSTAT
COVER GASKET



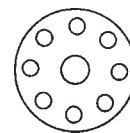
G394
THERMOSTAT
COVER GASKET



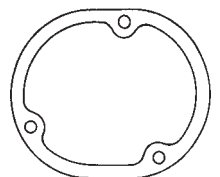
G160
PUMP DISCHARGE
NOZZLE GASKET



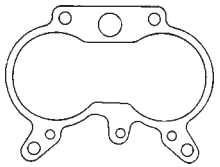
G514
VENTURI CLUSTER
GASKET



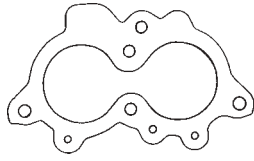
G675
GOV. HOUSING TO
BODY GASKET



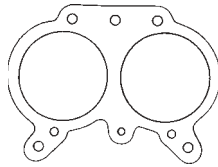
G815
GOVERNOR COVER
GASKET



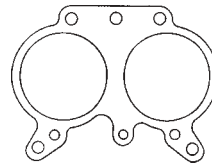
G597
THROTTLE BODY GASKET
1/32" THK.



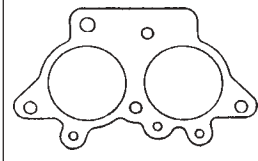
G456
THROTTLE BODY GASKET
1/32" THK.



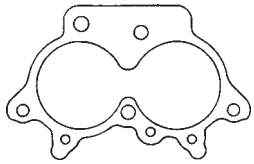
G644
THROTTLE BODY GASKET
1/32" THK.



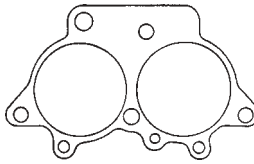
G513
THROTTLE BODY GASKET
1/32" THK.



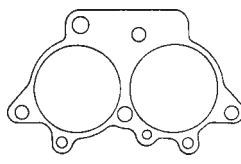
G352
THROTTLE BODY GASKET
1/32" THK.



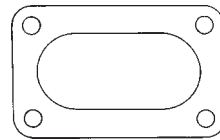
G770
THROTTLE BODY GASKET
1/32" THK.



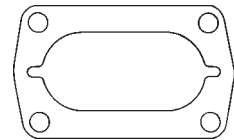
G636
THROTTLE BODY GASKET
1/32" THK.



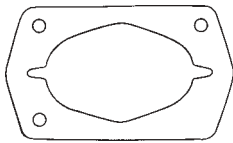
G1286
THROTTLE BODY GASKET
3/32" THK.



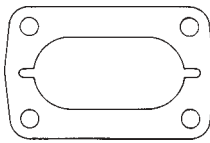
G785
FLANGE GASKET
1/16" THK.



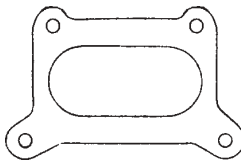
G628
FLANGE GASKET
1/16" THK.



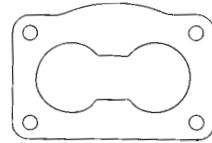
G355
FLANGE GASKET
1/16" THK.



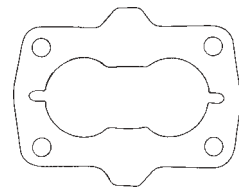
G968
FLANGE GASKET
1/8" THK.



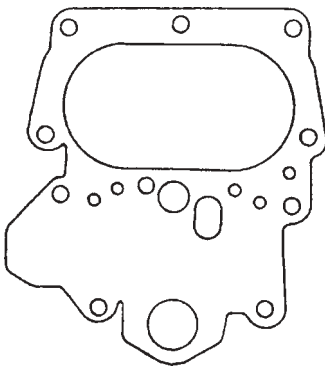
G1-49
FLANGE GASKET
1/32" THK.



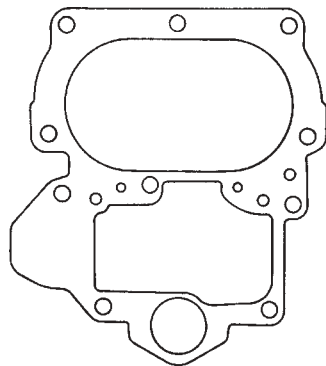
G389
FLANGE GASKET
1/16" THK.



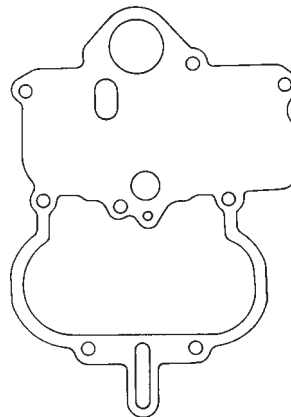
G354
FLANGE GASKET
1/16" THK.



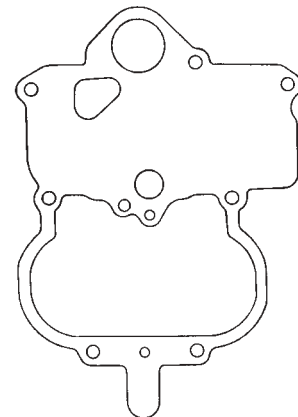
G469
BOWL COVER GASKET
1/32" THK.



G350
BOWL COVER GASKET
1/32" THK.



G515
BOWL COVER GASKET
1/32" THK.



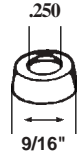
G572
BOWL COVER GASKET
1/32" THK.



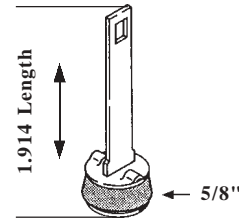
101-284
CHOKE PULL-OFF
ASSEMBLY



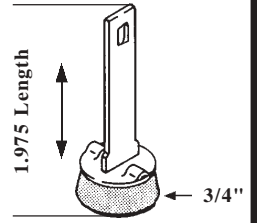
66-32
CHOKE THERMOSTAT
SPRING



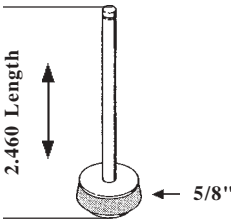
64-322
BUNA CUP
PUMP PISTON



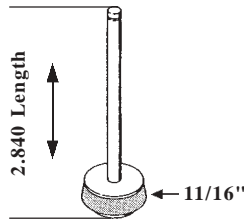
64-180
LEATHER PUMP
ASSEMBLY



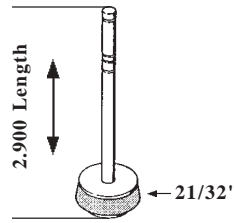
64-310
LEATHER PUMP
ASSEMBLY



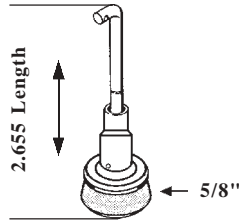
64-6
LEATHER PUMP
ASSEMBLY



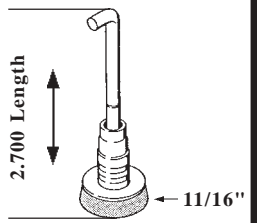
64-160
LEATHER PUMP
ASSEMBLY



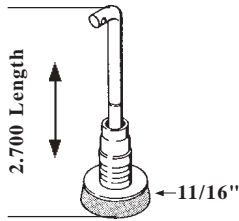
64-160-1
LEATHER PUMP
ASSEMBLY



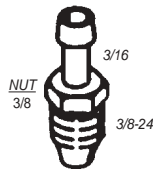
64-1
LEATHER PUMP
ASSEMBLY



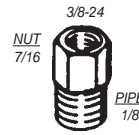
64-222
LEATHER PUMP
ASSEMBLY



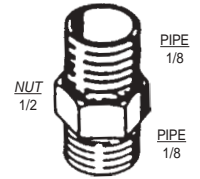
64-135
LEATHER PUMP
ASSEMBLY



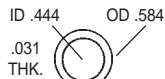
90-89
VACUUM HOSE
FITTING



90-17-6
CHOKE REPAIR
FITTING



90-64
ADAPTOR FITTING
PIPE



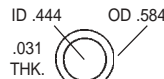
1234F
NEEDLE & SEAT
WASHER (Fiber)



18-207
NEEDLE



31-541
NEEDLE & SEAT
ASSEMBLY
(.101 Orifice)



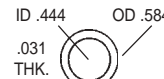
1234F
NEEDLE & SEAT
WASHER (Fiber)



18-201
NEEDLE



31-513
NEEDLE & SEAT
ASSEMBLY
(.101 Orifice)



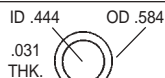
1234F
NEEDLE & SEAT
WASHER (Fiber)



18-204
NEEDLE



31-522
NEEDLE & SEAT
ASSEMBLY
(.101 Orifice)



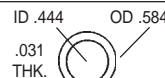
1234F
NEEDLE & SEAT
WASHER (Fiber)



18-207
NEEDLE



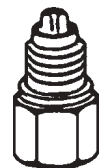
31-544
NEEDLE & SEAT
ASSEMBLY
(.101 Orifice)



1234F
NEEDLE & SEAT
WASHER (Fiber)



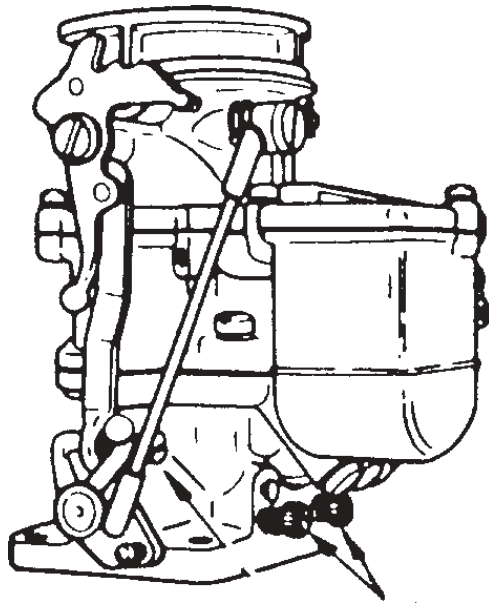
18-201
NEEDLE



31-518
NEEDLE & SEAT
ASSEMBLY
(.110 Orifice)

STROMBERG

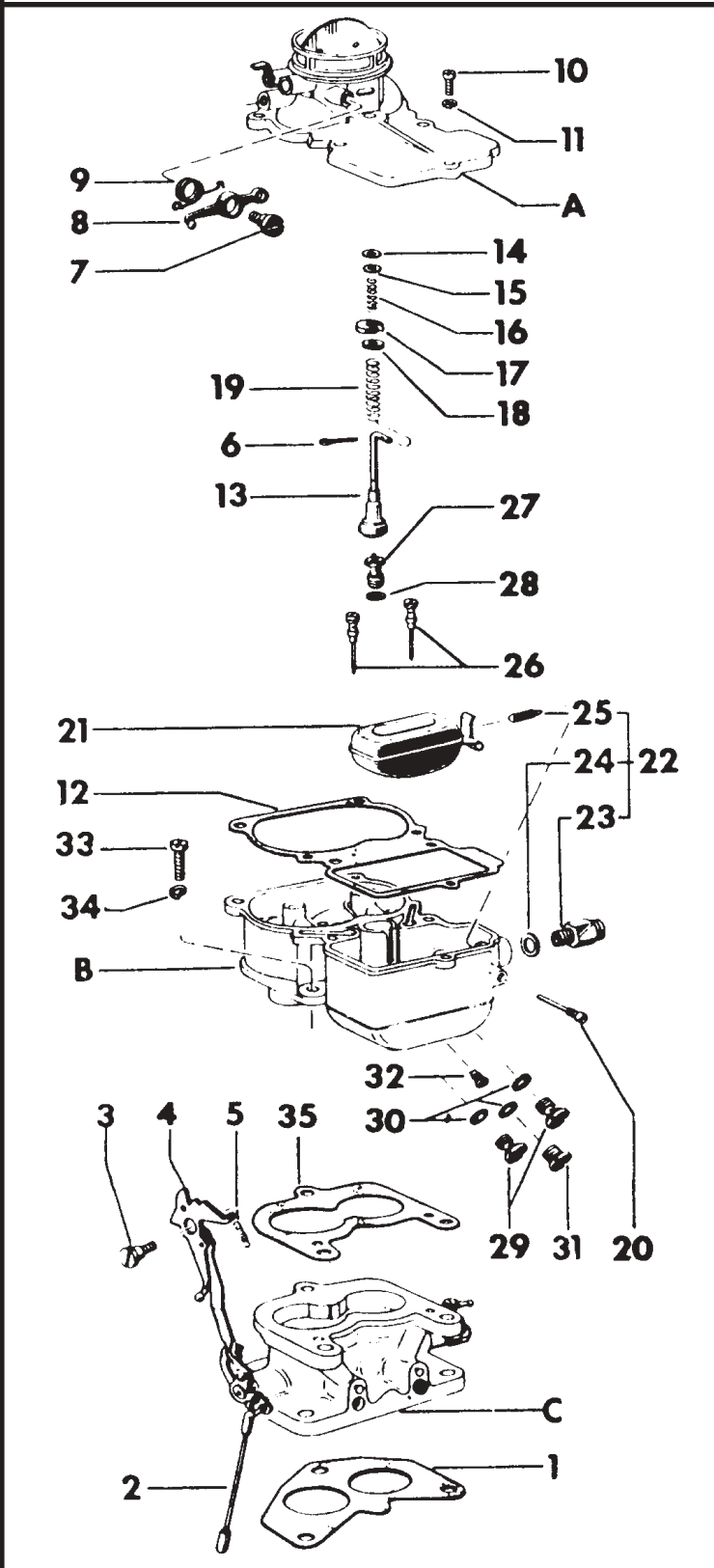
"EE-1"



APPLICATION

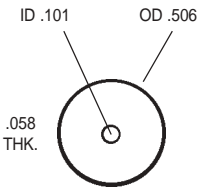
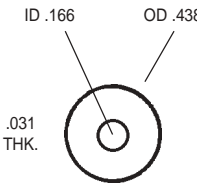
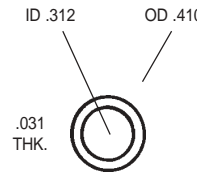
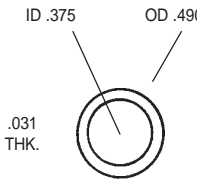
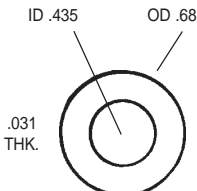
FORD (48, 97 Models) 1935-37


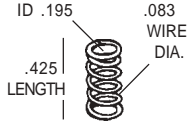

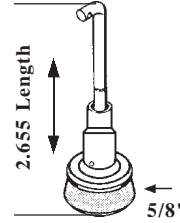
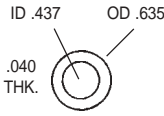
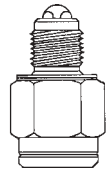



48, 97 MODELS



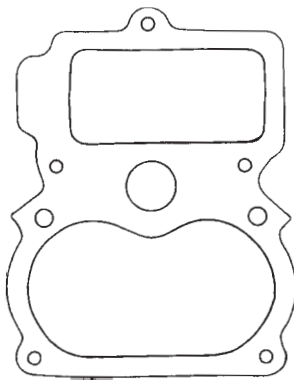
REF#	NOMENCLATURE	PART#
1)	GASKET-FLANGE	G56
2)	ROD ASSEMBLY-ACCELERATOR PUMP ...	
3)	FULCRUM-AIR SHUTTLE LEVER	
4)	LEVER-CHOKE	
5)	SPRING-CHOKE VALVE TENSION	
6)	PIN-COTTER, ACCELERATOR PUMP	SEE WC# 19
7)	FULCRUM-ACCELERATOR PUMP	
8)	LEVER-ACCELERATOR PUMP	
9)	SPRING-ACCELERATOR PUMP	
10)	SCREW-UPPER TO BODY	**
11)	LOCKWASHER-AIR HORN	
12)	GASKET-UPPER BODY	G54
13)	PUMP ASSY.-ACCELERATOR	64-1
14)	GASKET-PUMP FELT	G62
15)	WASHER-PUMP PLUNGER	SEE PAGE 12
16)	SPRING-PUMP PLUNGER, UPPER	
17)	RETAINER-ACCELERATOR PUMP	
18)	SEAT-PUMP RETURN SPRING	
19)	SPRING-ACCELERATOR PUMP	
20)	PIN-FLOAT	SEE WC# 16
21)	FLOAT ASSEMBLY	
22)	NEEDLE & SEAT ASSEMBLY	31-501
23)	SEAT-NEEDLE	205-42
24)	GASKET-NEEDLE SEAT	13F
25)	VALVE-NEEDLE	18-201
26)	JET ASSY.-IDLING	
27)	JET ASSY.-POWER	56-42
28)	GASKET-POWER JET	
29)	PLUG-METERING JET	SEE PAGE 13
30)	GASKET-DRAIN PLUG	G52
31)	PLUG-DRAIN	
32)	VALVE ASSY.-ACCELERATOR PUMP	
33)	SCREW-THROTTLE BODY	**
34)	LOCKWASHER-THROTTLE BARREL	
35)	GASKET-THROTTLE BODY	G55

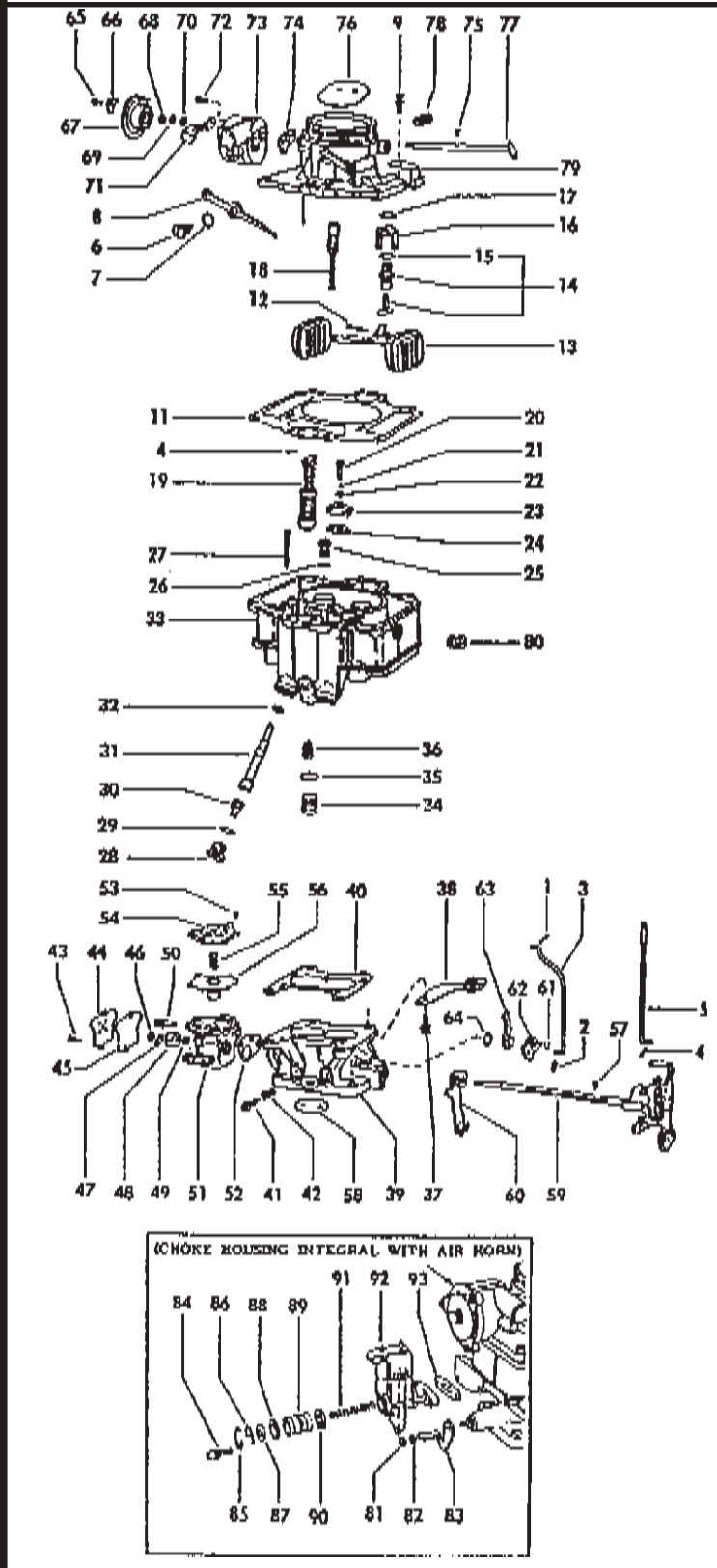
(**) REFER TO SCREW CATALOG

 <p>G62 PUMP WASHER (Felt)</p>	 <p>G61-1 STEEL WASHER</p>	 <p>G59 FUEL INLET GASKET (Fiber)</p>	 <p>G52 DRAIN PLUG GASKET (Fiber)</p>	 <p>G72 STRAINER PLUG WASHER (Fiber)</p>
--	--	---	---	--

<p>Metering Jets</p>  <p>Pilot Hole 120-14 (.035 BLANK) 120-15 (.074)</p>	 <p>66-3 IDLE ADJUSTING SCREW SPRING</p>	 <p>17-3 PUMP TUBE ASSEMBLY (1/4" X 24 T.H.D.)</p>	 <p>64-1 LEATHER PUMP ASSEMBLY</p>	 <p>13F NEEDLE & SEAT GASKET (Fiber)</p>  <p>31-501 NEEDLE & SEAT ASSEMBLY (.097 Orifice)</p>
 <p>35-1 JET & BALL ASSEMBLY</p>	 <p>16-1 IDLE MIXTURE SCREW (10-32X1.071)</p>			 <p>18-201 NEEDLE</p>






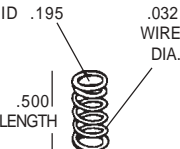


 <p>G55 THROTTLE BODY GASKET 1/32" THK.</p>	 <p>G56 FLANGE GASKET 1/16" THK.</p>	 <p>G48 FLANGE GASKET 1/16" THK.</p>
---	---	--

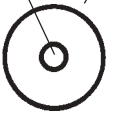

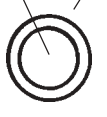

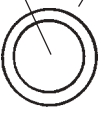
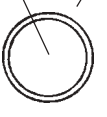

 <p>G54 BOWL COVER GASKET 1/32" THK.</p>		
--	--	--

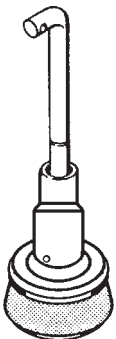

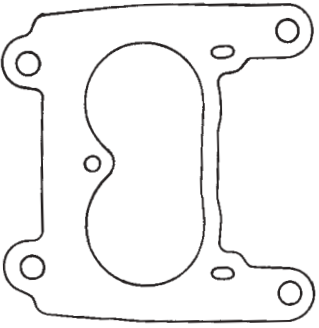


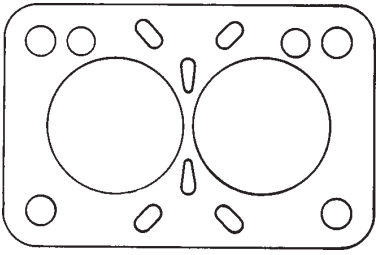
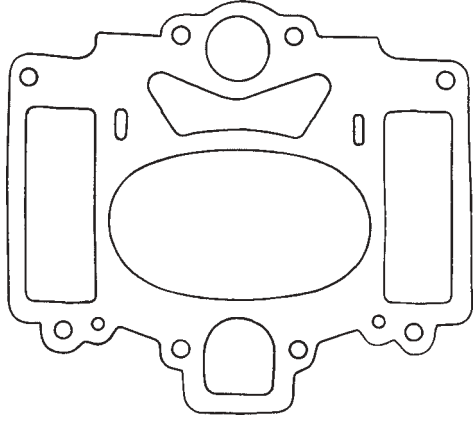
REF#	NOMENCLATURE	PART#
1)	PIN-COTTER	SEE PAGE 14
2)	SPRING-PIN	
3)	ROD-FAS IDLE	
4)	PIN-COTTER	32-11
5)	ROD-PUMP CONNECTOR	
6)	SCREW-PUMP LEVER	**
7)	WASHER-PUMP ROD SPRING	SEE PAGE 14
8)	LEVER-PUMP OPERATING	
9)	SCREW & WASHER ASSEMBLY	
10)	AIR HORN ASSEMBLY	
11)	GASKET-AIR HORN	G1
12)	PIN-FLOAT LEVER	
13)	FLOAT ASSEMBLY	
14)	NEEDLE & SEAT ASSEMBLY	
15)	GASKET-NEEDLE SEAT	SEE PAGE 14
16)	HANGER-FLOAT	
17)	GASKET-FLOAT HANGER	
18)	PISTON ASSEMBLY-VACUUM POWER	
19)	PISTON ASSEMBLY-PUMP	
20)	SCREW-PUMP DISCHARGE NOZZLE	**
21)	BALL-PUMP DISCHARGE CHANNEL	
22)	GASKET-PUMP DISCHARGE NOZZLE	G1158
23)	NOZZLE-PUMP DISCHARGE	
24)	GASKET-PUMP DISCHARGE NOZZLE	G160
25)	JET-BY PASS POWER	
26)	GASKET-BY PASS JET	
27)	TUBE-IDLE	
28)	PLUG-NOZZLE PASSAGE	
29)	GASKET-NOZZLE PASSAGE PLUG	
30)	JET-MAIN METERING	
31)	JET-MAIN DISCHARGE	
32)	GASKET-MAIN DISCHARGE JET	
33)	MAIN BODY ASSEMBLY	
34)	PLUG-PUMP INTAKE	
35)	GASKET-PUMP INTAKE	
36)	VALVE-PUMP INLET CHECK	
37)	SCREW & WASHER ASSEMBLY	**
38)	BRACKET ASSEMBLY	
39)	THROTTLE BODY ASSEMBLY	
40)	FLANGE GASKET	G161
41)	SCREW-IDLE MIXTURE	16-1
42)	SPRING-IDLE MIXTURE	66-1
43)	SCREW-STARTING SWITCH	**
44)	COVER-STARTING SWITCH	
45)	GASKET-STARTING SWITCH	
46)	NUT-THROTTLE SHAFT	
47)	WASHER-STARTING SWITCH	
48)	ROTOR-STARTING SWITCH	
49)	WASHER-STARTING SWITCH	
50)	SCREW & WASHER ASSEMBLY	**
51)	HOUSING-STARTING SWITCH	
52)	GASKET-STARTING SWITCH	
53)	SCREW-DIAPHRAGM COVER	**
54)	COVER-DIAPHRAGM	
55)	SPRING-DIAPHRAGM RETURN	
56)	DIAPH. ASSY-STARTING SWITCH	**
57)	SCREW-THROTTLE VALVE	**
58)	VALVE-THROTTLE	
59)	SHAFT ASSEMBLY-THROTTLE	
60)	LEVER-END THROTTLE CONTROL	
61)	RING-SNAP FAST IDLE	
62)	CAM-FAST IDLE	
63)	LEVER-LOOSE, FAST IDLE	
64)	WASHER-LOOSE LEVER SPACER	
65)	SCREW-THERMOSTAT COVER	**
66)	CLIP-SPRING	
67)	COVER-ASSEMBLY THERMOSTAT	
68)	NUT	
69)	WASHER-LOCK	
70)	WASHER-THERMOSTAT LEVER	
71)	PISTON ASSEMBLY-VACUUM	**
72)	SCREW-CHOKE HOUSING	
73)	HOUSING ASSEMBLY-CHOKE	
74)	GASKET-CHOKE HOUSING	**
75)	SCREW-CHOKE VALVE	**
76)	VALVE-CHOKE	
77)	SHAFT ASSEMBLY-CHOKE	
78)	STRAINER-FUEL INLET	
79)	CLIP-STARTING SWITCH	
80)	PLUG-FLOAT LEVER SIGHT	
81)	NUT-STARTING SWITCH	
82)	WASHER-LOCK	
83)	LEVER-STARTING SWITCH	
84)	SCREW & WASHER ASSEMBLY	**
85)	RING-SNAP	
86)	SCREEN-STARTING SWITCH	
87)	WASHER-FELT	
88)	WASHER-STARTING SWITCH PISTON	
89)	PISTON-STARTING SWITCH	
90)	GASKET-STARTING SWITCH PISTON	
91)	SPRING-STARTING SWITCH PISTON	
92)	HOUSING ASSY-STARTING SWITCH	
93)	GASKET-STARTING SWITCH	

(**) REFER TO SCREW CATALOG

 90-21 CHECK BALL (1/8" Steel)	 62-104 ROD RETAINER	 62-56 ROD RETAINER	 62-85 ROD RETAINER	 32-11 COTTER PIN (3/64" X 3/8")	 66-1 IDLE ADJUSTING SCREW SPRING	 16-1 IDLE MIXTURE SCREW
 90-13 CHECK BALL (3/16" Steel)						

 G910 FAST IDLE ROD SEAL	 G1158 PUMP DISCHARGE NOZZLE GASKET (Fiber)	 G50 NEEDLE & SEAT GASKET (Fiber)	 G405 POWER VALVE GASKET (Fiber)	 G52 DRAIN PLUG GASKET (Fiber)	 G45D WASHER (Copper)	 G1737 WASHER (Copper)
---	---	--	---	---	--	---

 64-1 LEATHER PUMP PLUNGER	 G160 PUMP DISCHARGE NOZZLE GASKET	 G161 FLANGE GASKET THK .031
--	---	--

 G533 FLANGE GASKET THK .062	 G1 AIR HORN GASKET THK .031
---	--