

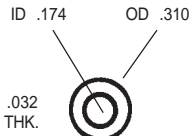
**REFERENCE**

**WALKER CARBURETOR  
KIT #15245**

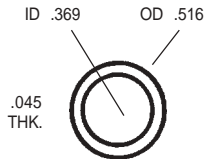
# SOLEX

**"APPLICATION"**

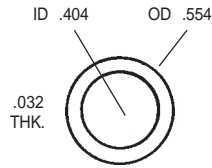
**SEE KIT CATALOG FOR  
SPECIFIC APPLICATIONS**



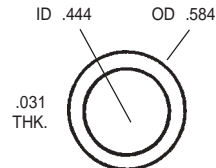
**G365  
STEP-UP JET  
WASHER**



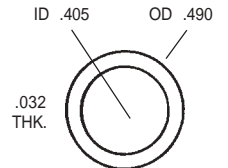
**2F  
NEEDLE & SEAT  
WASHER**



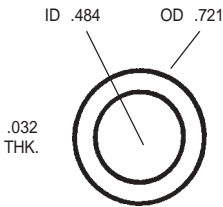
**397F  
INLET FITTING  
WASHER**



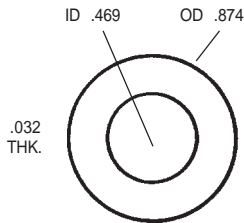
**1234F  
NEEDLE & SEAT  
WASHER**



**824F  
FUEL VALVE  
WASHER**



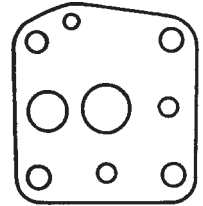
**11F  
BANJO UNION  
BOLT WASHER**



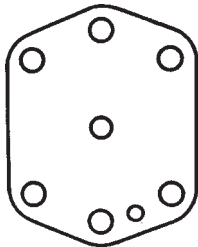
**26F  
BANJO UNION  
WASHER**



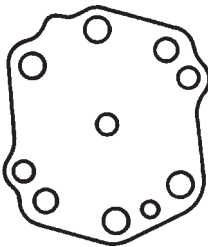
**93F  
PUMP INJECTOR  
SUPPORT GASKET**



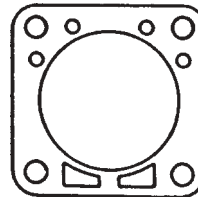
**45F  
PUMP BODY  
GASKET**



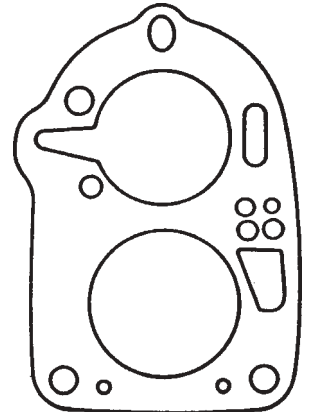
**35F  
PUMP DIAPHRAGM**



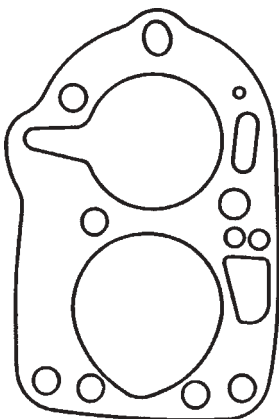
**219F  
PUMP DIAPHRAGM  
ASSEMBLY**



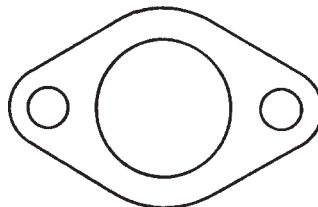
**68F  
THROTTLE CHAMBER  
GASKET**



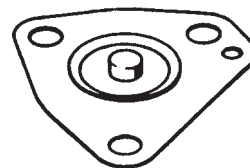
**58F  
BOWL COVER  
GASKET**



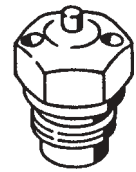
**140F  
BOWL COVER  
GASKET**



**49F  
FLANGE GASKET**



**114F  
AIR VALVE  
DIAPHRAGM ASSEMBLY**



2.0 MM  
ORIFICE

**31-216  
NEEDLE & SEAT  
ASSEMBLY**

**REFERENCE**

**WALKER CARBURETOR  
KIT #15280**

# SOLEX

**"APPLICATION"**

**VOLKSWAGEN (4 cyl).....1967-64**

ID .446    OD .573

.032  
THK.



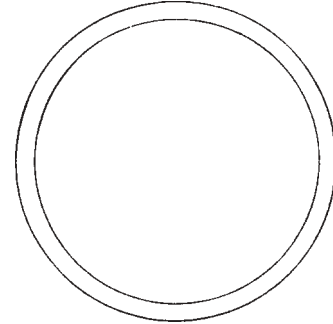
**G80**  
**POWER JET  
WASHER**

ID .409    OD .577

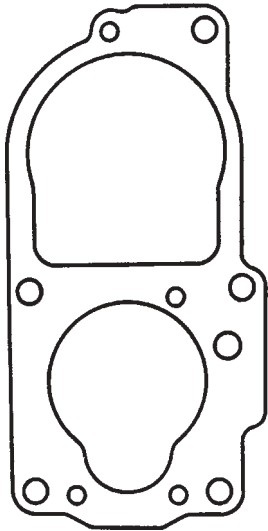
.032  
THK.



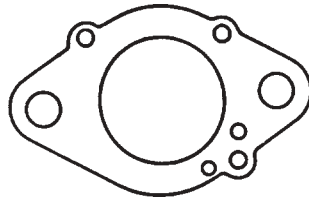
**245F**  
**MAIN JET  
PLUG WASHER**



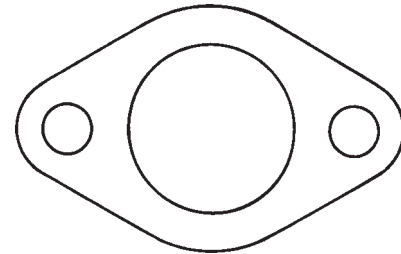
**243F**  
**THERMOSTATIC  
HOUSING GASKET**



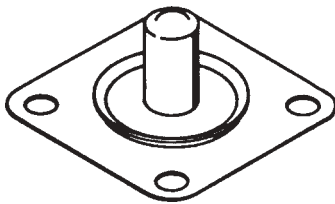
**241F**  
**BOWL COVER  
GASKET**



**242F**  
**THROTTLE BODY  
GASKET**



**206F**  
**FLANGE GASKET**



**246F**  
**PLUNGER DIAPHRAGM  
ASSEMBLY**



1.2 MM  
ORIFICE

**31-214**  
**NEEDLE & SEAT  
ASSEMBLY**

**REFERENCE**

**WALKER CARBURETOR  
KIT #15282C**

**SOLEX**

**"APPLICATION"**

**VOLKSWAGEN (4 cyl).....1974-61**



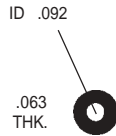
**942F**  
NYLON SCREW  
SEALING PLUG



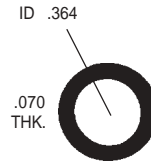
**32-11**  
COTTER PIN



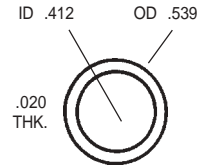
**62-58**  
ROD RETAINER



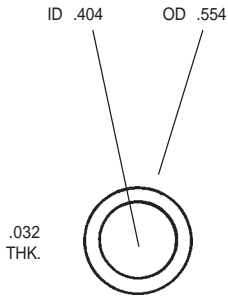
**705F**  
IDLE NEEDLE  
SEAL O-RING



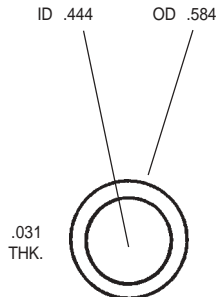
**G275**  
FUEL VALVE  
SEAT O-RING



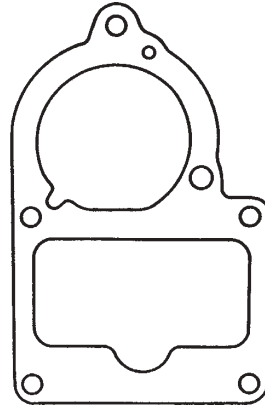
**923F**  
IDLE SHUT-OFF  
SOLENOID WASHER



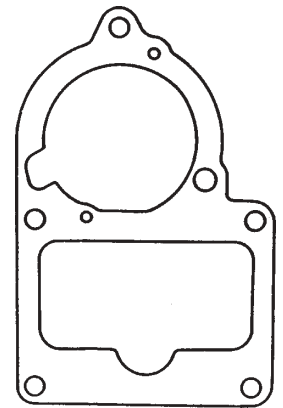
**397F**  
INLET FITTING  
WASHER



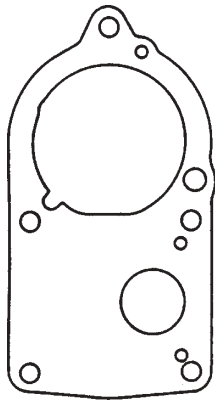
**1234F**  
NEEDLE & SEAT  
WASHER



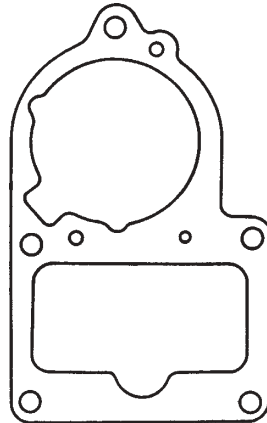
**265F**  
BOWL COVER  
GASKET



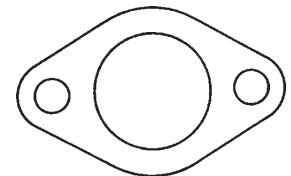
**283F**  
BOWL COVER  
GASKET



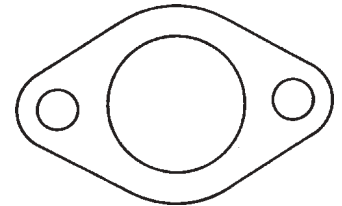
**270F**  
BOWL COVER GASKET



**285F**  
BOWL COVER GASKET



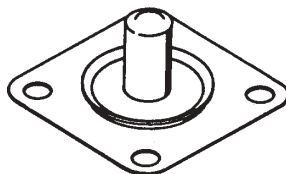
**52F**  
FLANGE GASKET



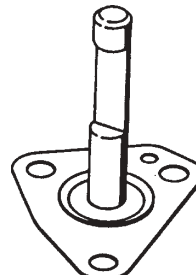
**284F**  
FLANGE GASKET



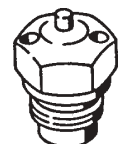
**279F**  
FLOAT PIN  
RETAINER



**260F**  
PLUNGER DIAPHRAGM  
ASSEMBLY



**239F**  
VACUUM DIAPHRAGM  
ASSEMBLY



1.5 MM  
ORIFICE  
**31-217**  
NEEDLE & SEAT  
ASSEMBLY

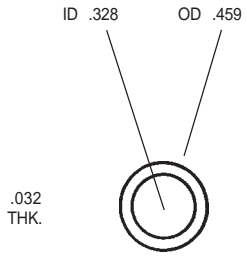
**REFERENCE**

**WALKER CARBURETOR  
KIT #15434**

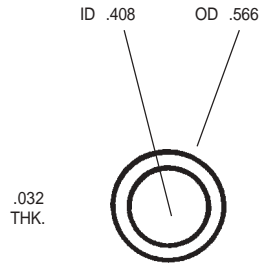
# SOLEX

**"APPLICATION"**

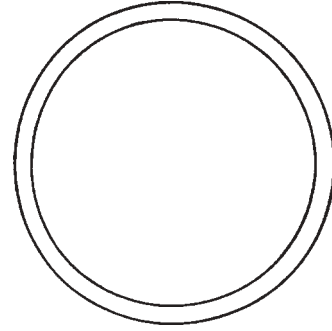
**OPEL (4 cyl).....1971-65**



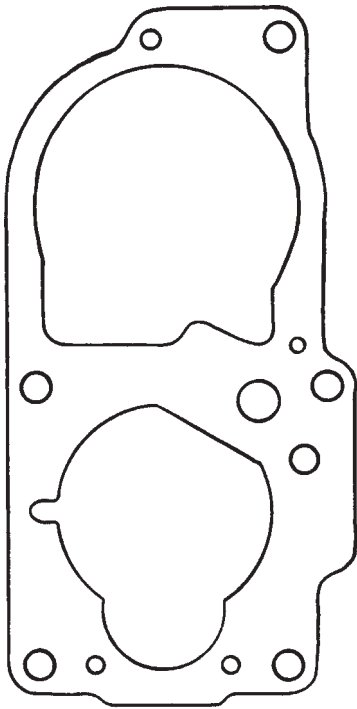
**250F  
MAIN NOZZLE  
WASHER**



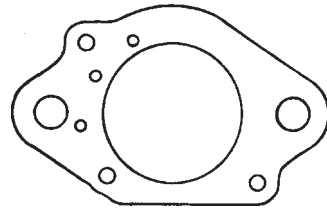
**245F  
MAIN JET  
PLUG WASHER**



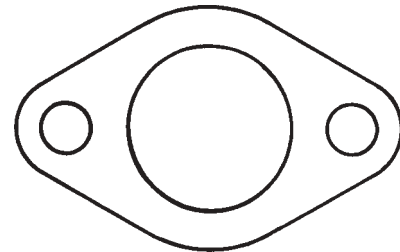
**562F  
STAT COVER  
GASKET**



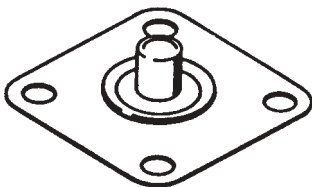
**563F  
BOWL COVER  
GASKET**



**248F  
THROTTLE BODY  
GASKET**



**49F  
FLANGE GASKET**



**433F  
PLUNGER DIAPHRAGM  
ASSEMBLY**



1.5 MM  
ORIFICE

**31-217  
NEEDLE & SEAT  
ASSEMBLY**

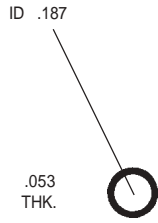
**REFERENCE**

**WALKER CARBURETOR  
KIT #15446A**

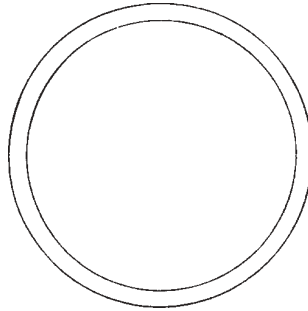
# SOLEX

**"APPLICATION"**

OPEL (4 cyl).....1972-65



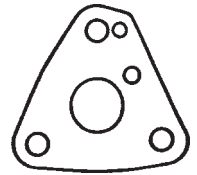
**483F  
NOZZLE TUBE  
O-RING**



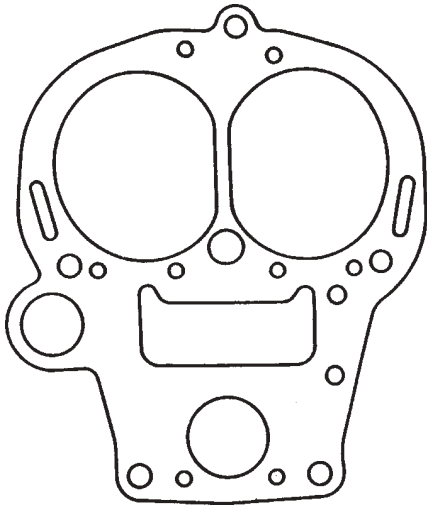
**G97-1  
THERMOSTATIC  
HOUSING GASKET**



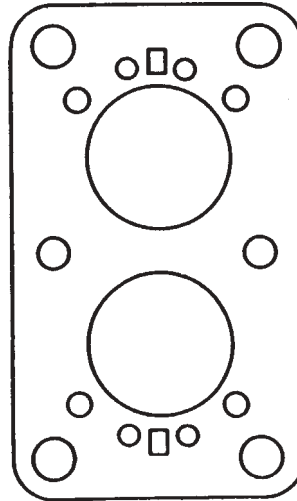
**587F  
HOT IDLE  
COMPENSATOR GASKET**



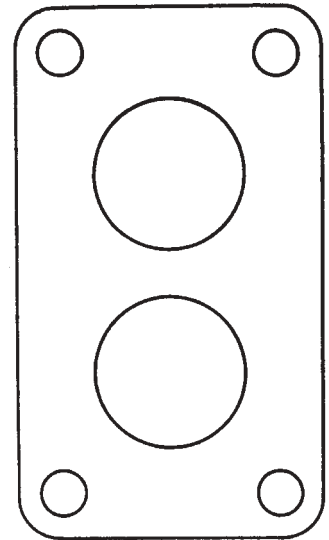
**421F  
ENRICHMENT BODY  
GASKET**



**393F  
BOWL COVER  
GASKET**



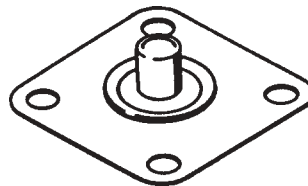
**635F  
THROTTLE BODY  
GASKET**



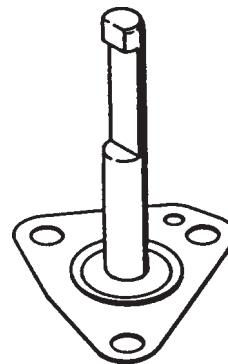
**292F  
FLANGE GASKET**



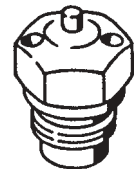
**16-38F  
IDLE ADJUSTING  
SCREW**



**430F  
PUMP DIAPHRAGM  
ASSEMBLY**



**741F  
CHOKE DIAPHRAGM  
ASSEMBLY**



**31-216  
NEEDLE & SEAT  
ASSEMBLY**  
2.0 MM  
ORIFICE







**REFERENCE**

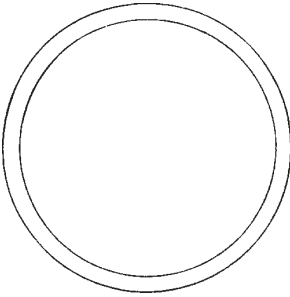
**WALKER CARBURETOR  
KIT #15546**

# SOLEX

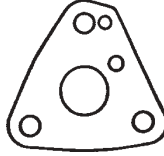
**"APPLICATION"**

**OPEL (4 cyl).....1974-73**

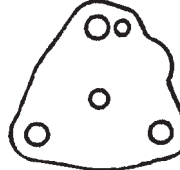
<p>ID .092 THK. .063</p>  <p><b>705F</b> IDLE NEEDLE SEAL O-RING</p>	<p>ID .145 THK. .070</p>  <p><b>G274</b> SECONDARY JET TUBE O-RING</p>	<p>ID .171 THK. .017</p> <p>OD .343</p>  <p><b>1065F</b> VACUUM PASSAGE WASHER</p>	<p>ID .165 THK. .030</p> <p>OD .365</p>  <p><b>434F</b> POWER SYSTEM VALVE WASHER</p>	<p>ID .208 THK. .070</p>  <p><b>G935</b> PUMP DISCHARGE NOZZLE O-RING</p>	<p>ID .326 THK. .055</p> <p>OD .459</p>  <p><b>21F</b> FUEL INLET FITTING WASHER</p>
---	---	---	--	--	---



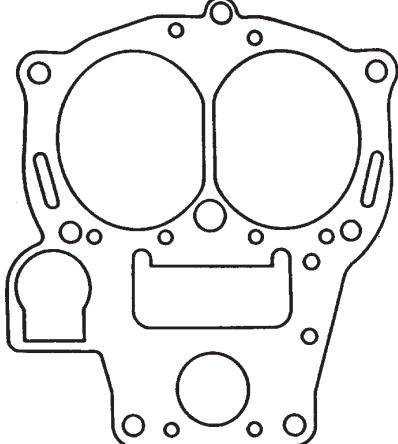
**G97-1**  
THERMOSTATIC  
HOUSING GASKET



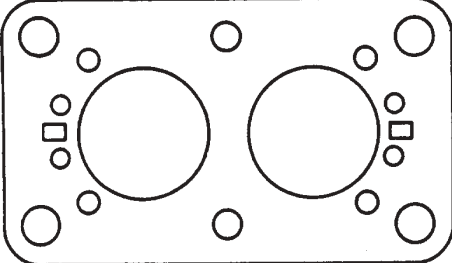
**421F**  
ENRICHMENT BODY  
GASKET



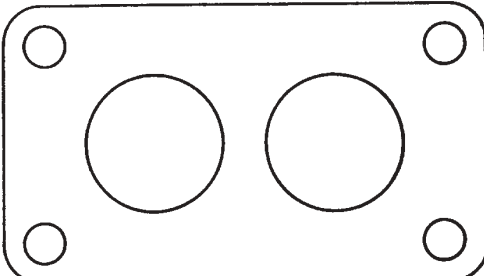
**453F**  
CHOKE DIAPHRAGM  
ASSEMBLY



**408F**  
FLOAT BOWL  
GASKET



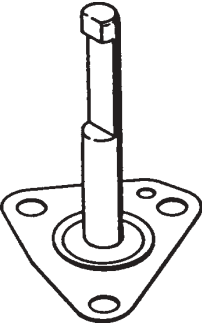
**635F**  
THROTTLE BODY GASKET




**292F**  
FLANGE GASKET



**433F**  
PLUNGER DIAPHRAGM  
ASSEMBLY



**741F**  
CHOKE DIAPHRAGM  
ASSEMBLY



2.0 MM  
ORIFICE

**31-216**  
NEEDLE & SEAT  
ASSEMBLY

**REFERENCE**

**WALKER CARBURETOR  
KIT #15552**

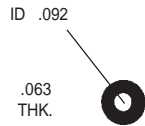
**SOLEX**

**"APPLICATION"**

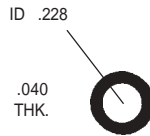
**VOLKSWAGEN (4 cyl).....1974-72**



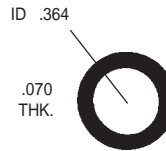
**G1129**  
IDLE CUT-OFF  
VALVE SEAL WASHER



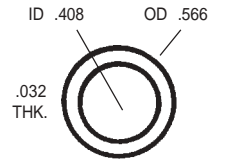
**705F**  
IDLE NEEDLE  
SEAL O-RING



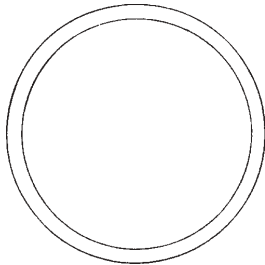
**G992**  
MAIN JET  
O-RING



**G275**  
FUEL VALVE  
SEAT O-RING



**245F**  
MAIN JET  
PLUG WASHER



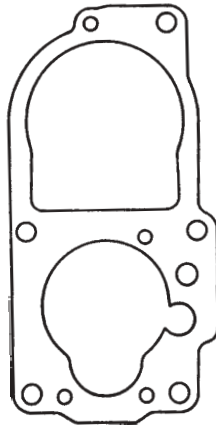
**G97-1**  
THERMOSTATIC  
HOUSING GASKET



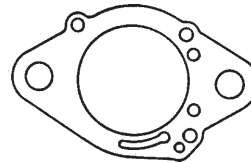
**587F**  
HOT IDLE  
COMPENSATOR GASKET



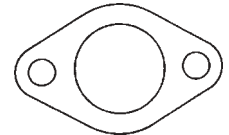
**588F**  
CHOKE HOUSING  
GASKET



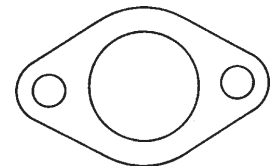
**300F**  
BOWL COVER  
GASKET



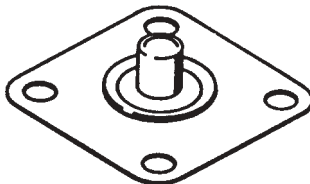
**582F**  
THROTTLE BODY  
GASKET



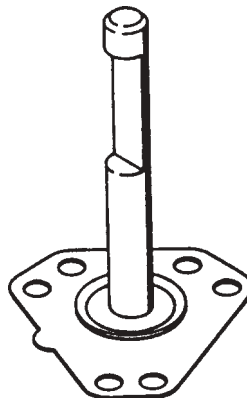
**206F**  
FLANGE GASKET



**284F**  
FLANGE GASKET



**433F**  
PLUNGER DIAPHRAGM  
ASSEMBLY



**389F**  
VACUUM DIAPHRAGM  
ASSEMBLY



**31-214**  
NEEDLE & SEAT  
ASSEMBLY

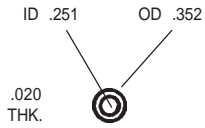
**REFERENCE**

**WALKER CARBURETOR  
KIT #15570**

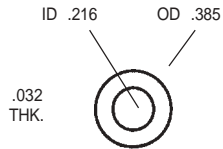
# SOLEX

**"APPLICATION"**

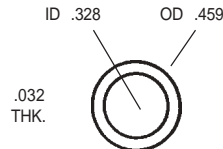
**BMW (4 cyl).....1972-63**



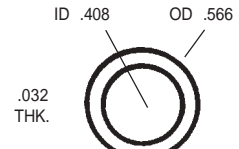
**G1398  
MAIN JET  
WASHER**



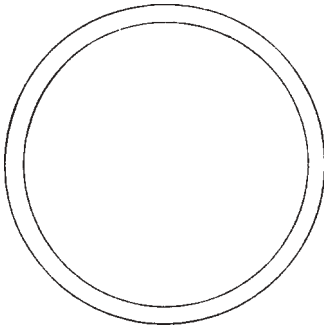
**G654  
PUMP DIAPHRAGM  
NOZZLE WASHER**



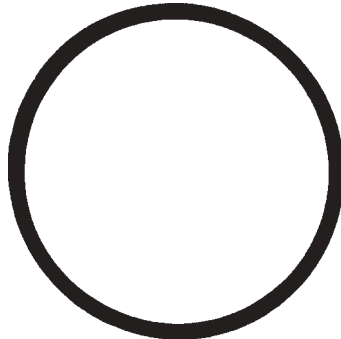
**250F  
MAIN NOZZLE  
WASHER**



**245F  
MAIN JET  
PLUG WASHER**



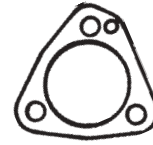
**G97-1  
THERMOSTATIC  
HOUSING GASKET**



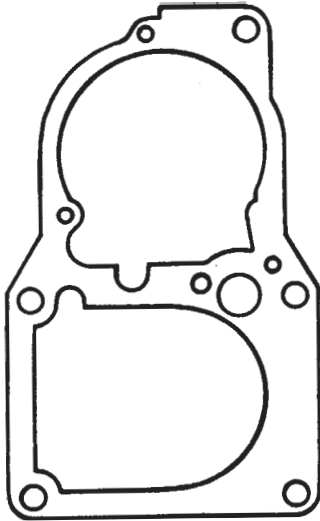
**710F  
CHOKE COVER  
O-RING**



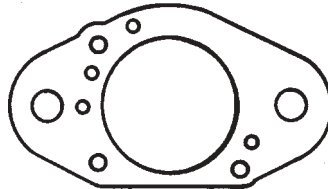
**588F  
CHOKE HOUSING  
GASKET**



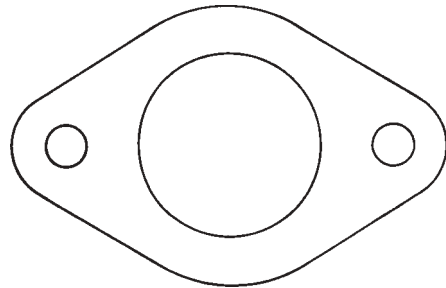
**475F  
CHOKE DIAPHRAGM  
GASKET**



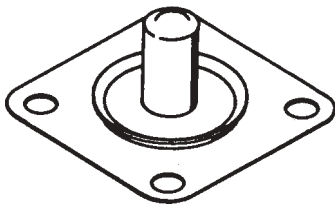
**1323F  
BOWL COVER  
GASKET**



**388F  
THROTTLE BODY  
GASKET**



**G1134  
FLANGE GASKET**



**260F  
PLUNGER DIAPHRAGM  
ASSEMBLY**



2.0 MM  
ORIFICE  
**31-216  
NEEDLE & SEAT  
ASSEMBLY**



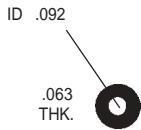
**REFERENCE**

**WALKER CARBURETOR  
KIT #15571**

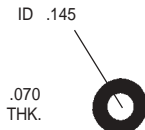
# SOLEX

**"APPLICATION"**

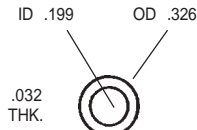
**AUDI (4 cyl).....1973-70**



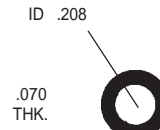
**705F**  
IDLE NEEDLE  
SEAL O-RING



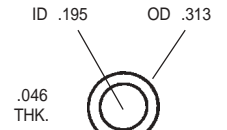
**G274**  
SECONDARY JET  
TUBE O-RING



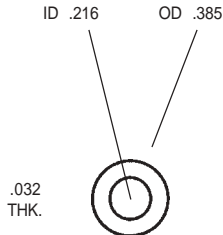
**G1158**  
PUMP DISCHARGE  
NOZZLE WASHER



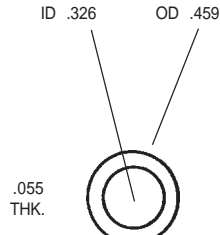
**G935**  
PUMP DISCHARGE  
NOZZLE O-RING



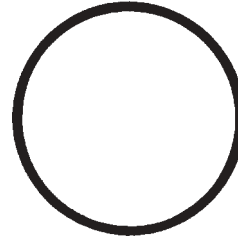
**920F**  
CHANNEL PLUG  
WASHER



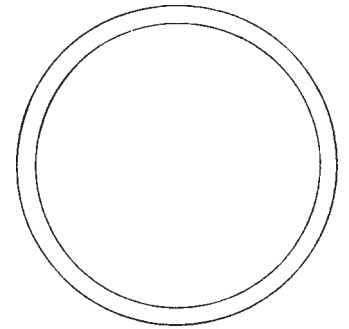
**G654**  
PUMP DIAPHRAGM  
NOZZLE WASHER



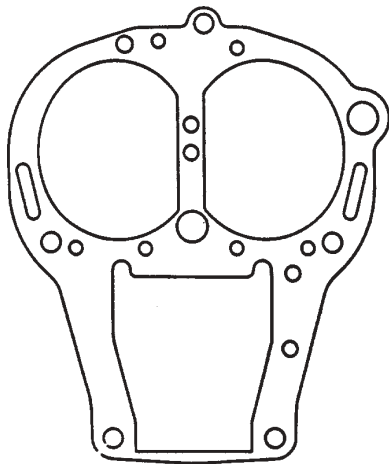
**21F**  
FUEL INLET  
FITTING WASHER



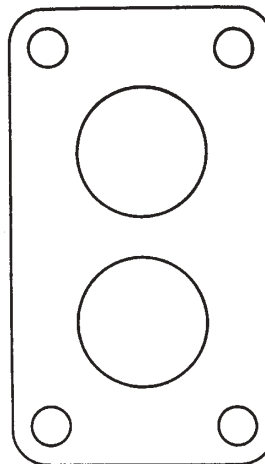
**709F**  
CHOKE CHAMBER  
O-RING



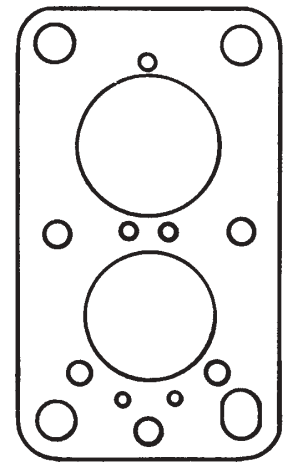
**G1115**  
THERMOSTATIC  
HOUSING GASKET



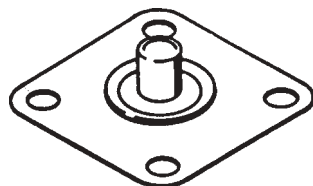
**917F**  
BOWL COVER  
GASKET



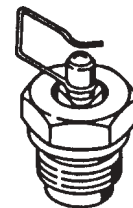
**292F**  
FLANGE GASKET



**919F**  
FLANGE GASKET



**294F**  
PUMP DIAPHRAGM  
ASSEMBLY



**31-603**  
NEEDLE & SEAT  
ASSEMBLY







**REFERENCE**



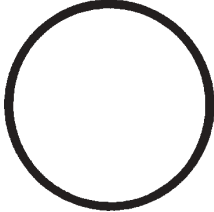
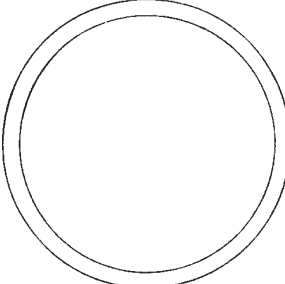
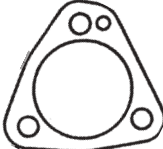
**WALKER CARBURETOR  
KIT #15572A**

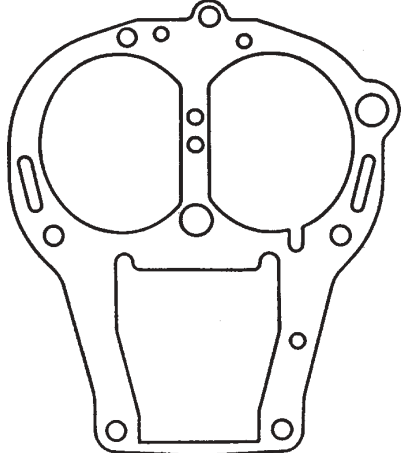
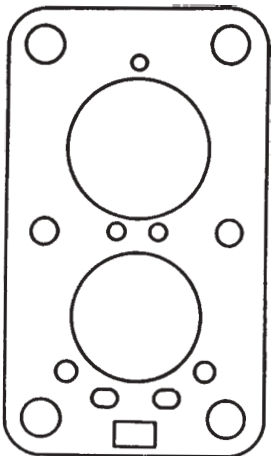
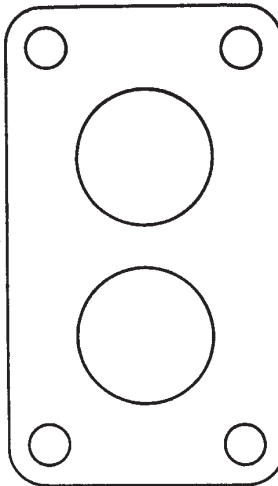
# SOLEX

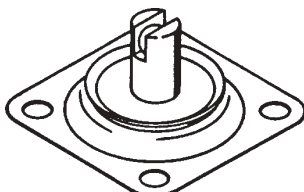
**"APPLICATION"**

**AUDI (4 cyl).....1974-73  
VOLKSWAGEN (4 cyl).....1974**

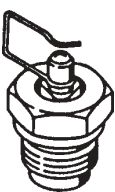
 <p><b>942F</b> PLASTIC SCREW SEALING PLUG</p>	<p>ID .092</p>  <p>.063 THK.</p> <p><b>705F</b> IDLE NEEDLE SEAL O-RING</p>	<p>ID .145</p>  <p>.070 THK.</p> <p><b>G274</b> SECONDARY JET TUBE O-RING</p>	<p>ID .171    OD .343</p>  <p>.017 THK.</p> <p><b>1065F</b> VACUUM PASSAGE WASHER</p>	<p>ID .216    OD .385</p>  <p>.032 THK.</p> <p><b>G654</b> PUMP DIAPHRAGM NOZZLE WASHER</p>	<p>ID .326    OD .459</p>  <p>.055 THK.</p> <p><b>21F</b> FUEL INLET FITTING WASHER</p>
---	--	--	--	--	--

<p>ID .364</p>  <p>.070 THK.</p> <p><b>G275</b> FUEL VALVE SEAT O-RING</p>	<p>ID .444    OD .584</p>  <p>.031 THK.</p> <p><b>1234F</b> NEEDLE SEAT WASHER</p>	 <p><b>709F</b> CHOKE CHAMBER O-RING</p>	 <p><b>G97-1</b> THERMOSTATIC HOUSING GASKET</p>	 <p><b>325F</b> VACUUM DIAPHRAGM GASKET</p>
---	---	---	--	--

 <p><b>503F</b> BOWL COVER GASKET</p>	 <p><b>706F</b> THROTTLE BODY GASKET</p>	 <p><b>292F</b> FLANGE GASKET</p>
---	---	--



**324F**  
PUMP DIAPHRAGM  
ASSEMBLY



**31-603**  
NEEDLE & SEAT  
ASSEMBLY

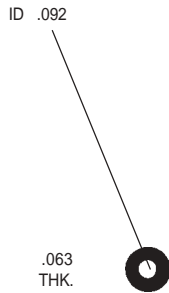
**REFERENCE**  
**WALKER CARBURETOR**  
**KIT #15644A**

# SOLEX

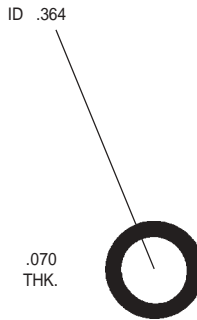
**"APPLICATION"**  
**VOLKSWAGEN (4 cyl).....1974**



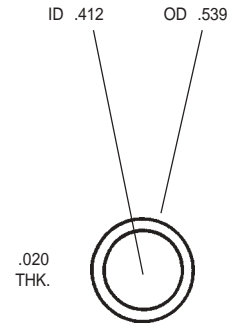
**942F**  
**PLASTIC SCREW**  
**SEALING PLUG**



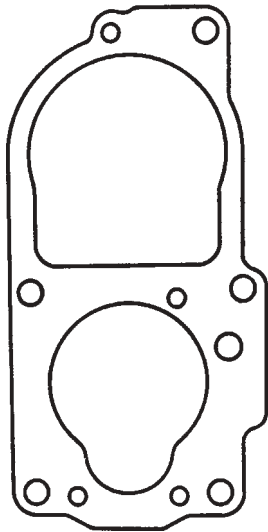
**705F**  
**IDLE NEEDLE**  
**SEAL O-RING**



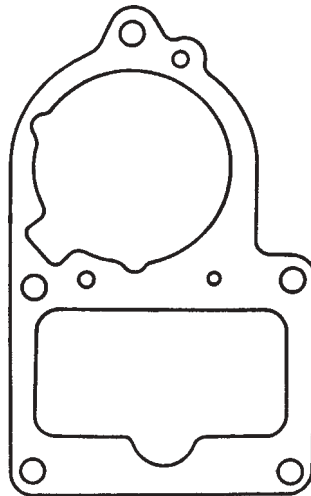
**G275**  
**FUEL VALVE**  
**SEAT O-RING**



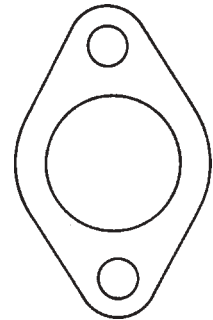
**923F**  
**MAIN JET**  
**PLUG WASHER**



**241F**  
**BOWL COVER GASKET**



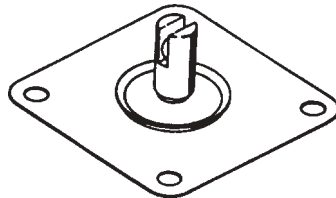
**285F**  
**BOWL COVER GASKET**



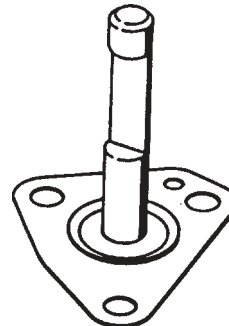
**284F**  
**FLANGE GASKET**



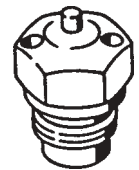
**279F**  
**FLOAT PIN**  
**RETAINER**



**302F**  
**PUMP DIAPHRAGM**  
**ASSEMBLY**



**239F**  
**VACUUM DIAPHRAGM**  
**ASSEMBLY**



**31-217**  
**NEEDLE & SEAT**  
**ASSEMBLY**










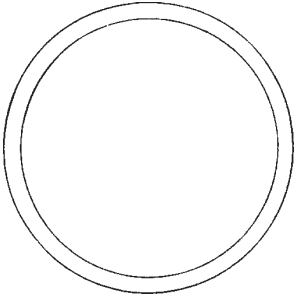
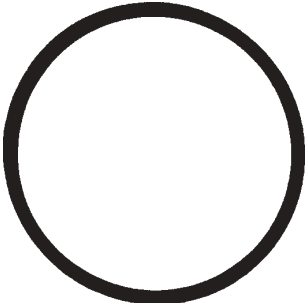
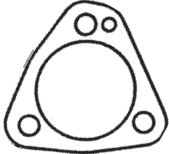
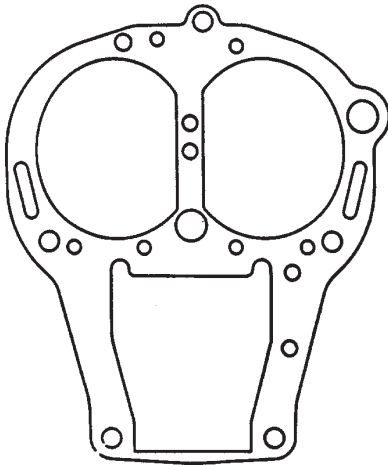
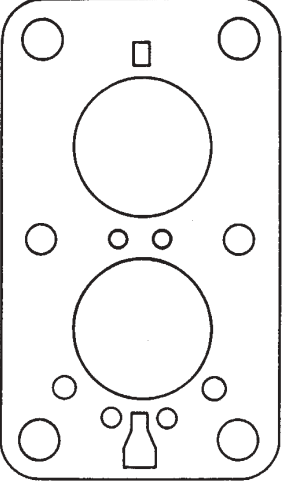
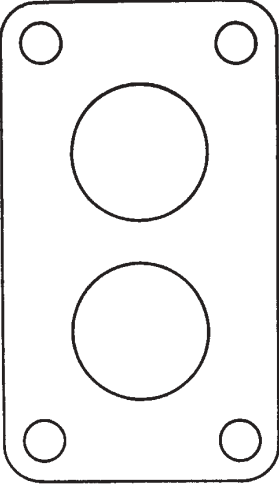
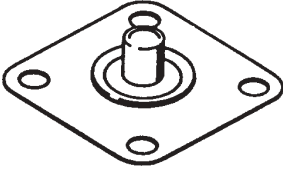
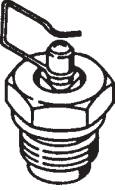
**REFERENCE**

**WALKER CARBURETOR  
KIT #15646**

# SOLEX

**"APPLICATION"**

**BMW (4 cyl).....1974-73**

 <p><b>942F</b> PLASTIC SCREW SEALING PLUG</p>	<p>ID .092 OD .080 THK.</p>  <p><b>705F</b> IDLE NEEDLE SEAL O-RING</p>	<p>ID .145 OD .070 THK.</p>  <p><b>G274</b> SECONDARY JET TUBE O-RING</p>	<p>ID .173 OD .344 OD .017 THK.</p>  <p><b>1065F</b> VACUUM PASSAGE WASHER</p>	<p>ID .216 OD .385 OD .032 THK.</p>  <p><b>G654</b> PUMP DIAPHRAGM NOZZLE WASHER</p>	<p>ID .326 OD .459 OD .055 THK.</p>  <p><b>21F</b> FUEL INLET FITTING WASHER</p>
<p>ID .364 OD .070 THK.</p>  <p><b>G275</b> FUEL VALVE SEAT O-RING</p>	<p>ID .444 OD .584 OD .031 THK.</p>  <p><b>1234F</b> NEEDLE SEAT WASHER</p>	<p>ID .542 OD .673 OD .038 THK.</p>  <p><b>609F</b> ALUM. BANJO BOLT WASHER</p>	 <p><b>243F</b> THERMOSTATIC HOUSING GASKET</p>	 <p><b>710F</b> CHOKE COVER O-RING</p>	
 <p><b>325F</b> VACUUM DIAPH. GASKET</p>	 <p><b>917F</b> BOWL COVER GASKET</p>	 <p><b>1067F</b> THROTTLE BODY GASKET</p>	 <p><b>292F</b> FLANGE GASKET</p>		
 <p><b>433F</b> PLUNGER DIAPHRAGM ASSEMBLY</p>		 <p><b>31-603</b> NEEDLE &amp; SEAT ASSEMBLY</p>			







**REFERENCE**


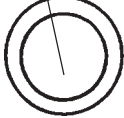
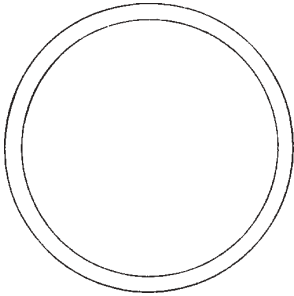
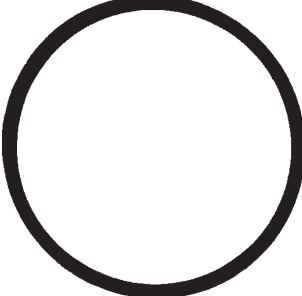
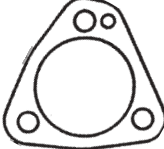
**WALKER CARBURETOR  
KIT #15647**

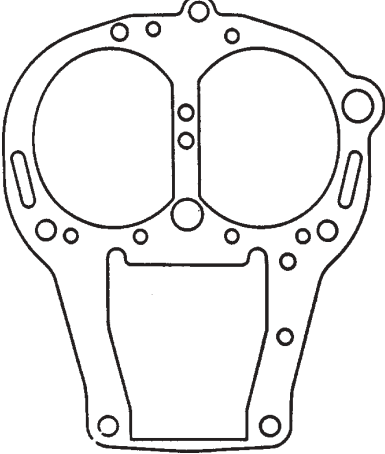
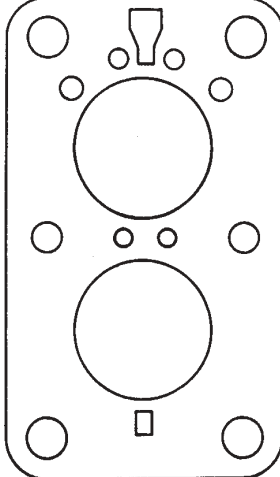
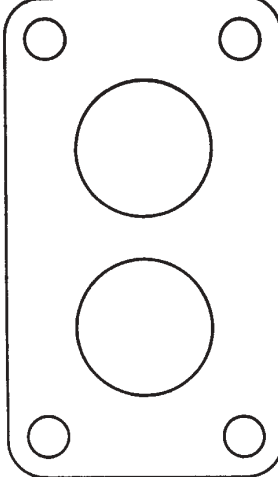
# SOLEX

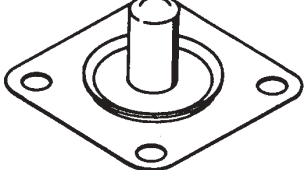
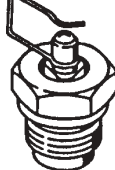
**"APPLICATION"**

**BMW (4 cyl).....1976-75**

 <p><b>942F</b> PLASTIC SCREW SEALING PLUG</p>	<p>ID .092</p>  <p>.063 THK.</p> <p><b>705F</b> IDLE NEEDLE SEAL O-RING</p>	<p>ID .145</p>  <p>.070 THK.</p> <p><b>G274</b> SECONDARY JET TUBE O-RING</p>	<p>ID .173    OD .385</p>  <p>.032 THK.</p> <p><b>1065F</b> VACUUM PASSAGE WASHER</p>	<p>ID .216    OD .385</p>  <p>.032 THK.</p> <p><b>G654</b> PUMP DIAPHRAGM NOZZLE WASHER</p>	<p>ID .326    OD .459</p>  <p>.055 THK.</p> <p><b>21F</b> FUEL INLET FITTING WASHER</p>
---	--	--	---	--	--

<p>ID .364</p>  <p>.070 THK.</p> <p><b>G275</b> FUEL VALVE SEAT O-RING</p>	<p>ID .444    OD .584</p>  <p>.031 THK.</p> <p><b>1234F</b> NEEDLE SEAT WASHER</p>	 <p><b>G243F</b> THERMOSTATIC HOUSING GASKET</p>	 <p><b>710F</b> CHOKE COVER O-RING</p>	 <p><b>325F</b> VACUUM DIAPH. GASKET</p>
---	---	---	---	---

 <p><b>917F</b> BOWL COVER GASKET</p>	 <p><b>1067F</b> THROTTLE BODY GASKET</p>	 <p><b>292F</b> FLANGE GASKET</p>
--	---	--

 <p><b>260F</b> PLUNGER DIAPHRAGM ASSEMBLY</p>	 <p><b>31-603</b> NEEDLE &amp; SEAT ASSEMBLY</p>
---	---