

REFERENCE

WALKER CARBURETOR
KIT #15451

AISAN

"APPLICATION"

TOYOTA (4 cyl).....1970-65



90-21
CHECK BALL
1/8" STEEL



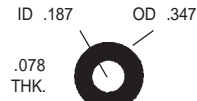
62-56
ROD RETAINER



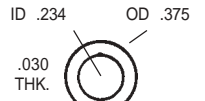
32-11
COTTER PIN



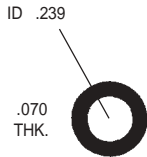
G1158
PUMP DISCHARGE
NOZZLE WASHER



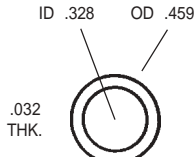
481F
RUBBER IDLE
COMPENSATOR SEAL



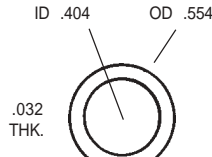
G57
FIBER JET
WASHER



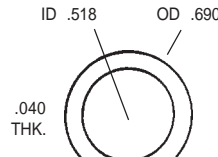
G272
FUEL INLET SEAL
O-RING



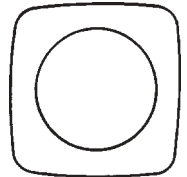
250F
MAIN NOZZLE
WASHER



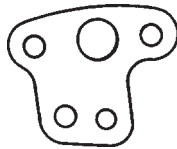
397F
INLET FITTING
WASHER



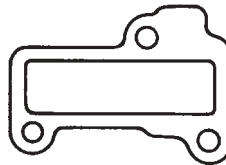
361F
FUEL INLET
WASHER



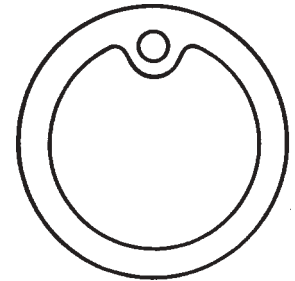
289F
FUEL LEVEL
WINDOW GASKET



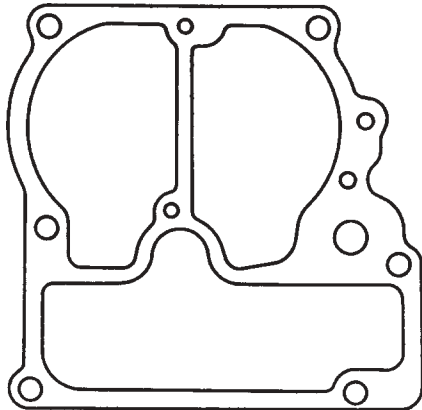
367F
CHOKE HOUSING
GASKET



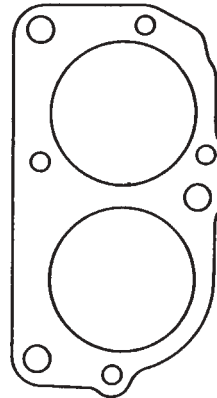
288F
IDLE COMPENSATOR
COVER GASKET



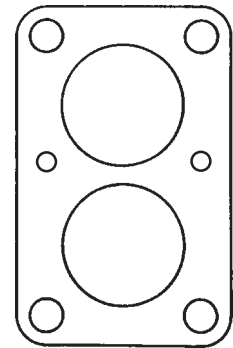
287F
CHOKE COVER
GASKET



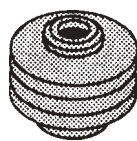
290F
BOWL COVER GASKET



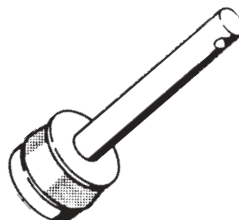
286F
THROTTLE BODY GASKET



282F
FLANGE GASKET



546F
CHOKE SHAFT
BOOT



366F
PUMP PLUNGER
ASSEMBLY



31-204
NEEDLE & SEAT
ASSEMBLY

REFERENCE

**WALKER CARBURETOR
KIT#15505**

AISAN

"APPLICATION"

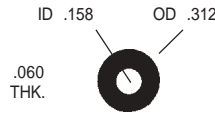
TOYOTA (4 cyl).....1971-69



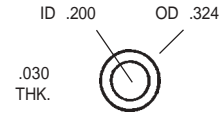
**62-56
ROD RETAINER**



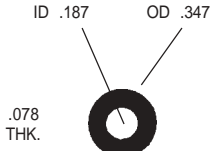
**32-11
COTTER PIN**



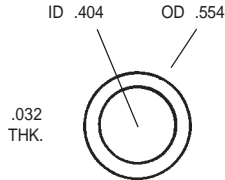
**235F
RUBBER PUMP
DISCHARGE SEAL**



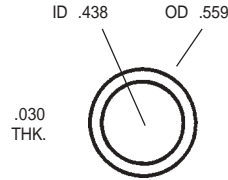
**G1158
PUMP DISCHARGE
NOZZLE WASHER**



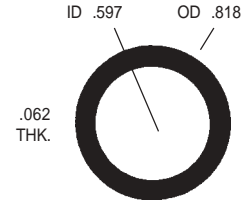
**481F
RUBBER IDLE
COMPENSATOR SEAL**



**397F
INLET FITTING
WASHER**



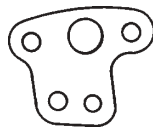
**G80
POWER JET
WASHER**



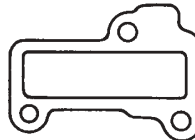
**377F
FUEL LEVEL
WINDOW SEAL**



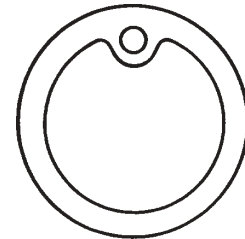
**368F
VENTURI CLUSTER
GASKET**



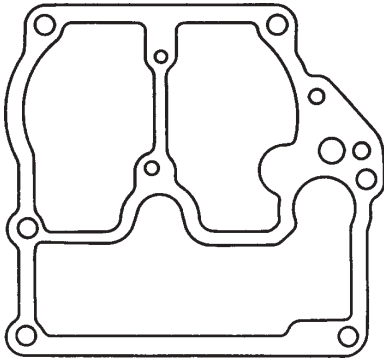
**367F
CHOKE HOUSING
GASKET**



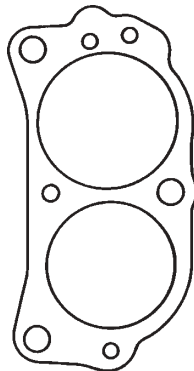
**288F
IDLE COMPENSATOR
COVER GASKET**



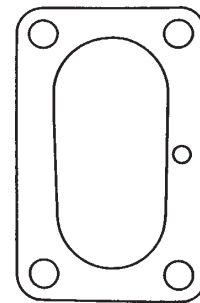
**287F
CHOKE COVER
GASKET**



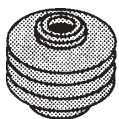
**371F
BOWL COVER GASKET**



**450F
THROTTLE BODY GASKET**



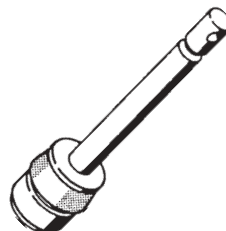
**446F
FLANGE GASKET**



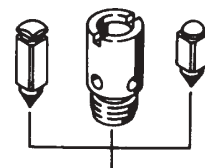
**546F
CHOKE SHAFT
BOOT**



**543F
PUMP PLUNGER
BOOT**



**363F
PUMP PLUNGER
ASSEMBLY**



**31-630
NEEDLE & SEAT
ASSEMBLY**







REFERENCE






**WALKER CARBURETOR
KIT #15527A**



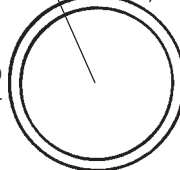


AISAN

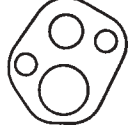
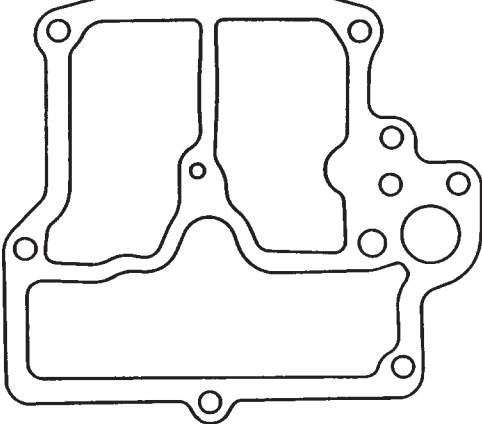
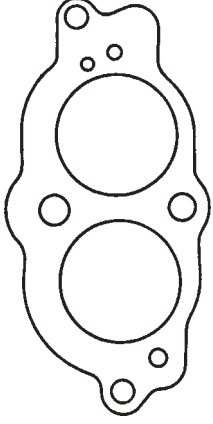
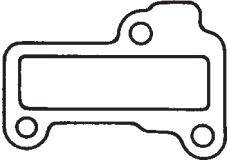
"APPLICATION"

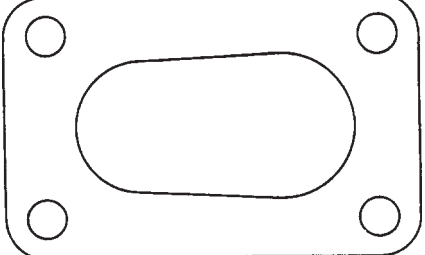


TOYOTA (4 cyl).....1973-70

					
90-21 CHECK BALL 1/8" STEEL	90-12 CHECK BALL 5/32" STEEL	62-56 ROD RETAINER	32-11 COTTER PIN	62-64 PUMP RETAINER	62-47 "E" CLIP RETAINER

<p>ID .200 OD .324 .030 THK.</p>  <p>G1158 PUMP DISCHARGE NOZZLE WASHER</p>	<p>ID .187 OD .347 .078 THK.</p>  <p>481F RUBBER IDLE COMPENSATOR SEAL</p>	<p>ID .234 OD .375 .030 THK.</p>  <p>G57 FIBER JET WASHER</p>	<p>ID .325 OD .458 .033 THK.</p>  <p>825F COPPER VALVE WASHER</p>	<p>ID .375 OD .490 .030 THK.</p>  <p>G52 DRAIN PLUG WASHER</p>
---	--	---	---	--

<p>ID .404 OD .554 .032 THK.</p>  <p>397F INLET FITTING WASHER</p>	<p>ID .483 OD .625 .044 THK.</p>  <p>824F FUEL VALVE WASHER</p>	<p>ID .782 OD .930 .030 THK.</p>  <p>G816 NYLON INLET FITTING GASKET</p>	 <p>398F ADAPTER GASKET</p>	 <p>400F VENTURI CLUSTER GASKET</p>
--	---	--	---	---

 <p>399F VALVE BODY GASKET</p>	 <p>402F BOWL COVER GASKET</p>	 <p>401F THROTTLE BODY GASKET</p>
 <p>288F IDLE COMPENSATOR COVER GASKET</p>		

 <p>486F FLANGE GASKET</p>	 <p>749F LEATHER PUMP ASSEMBLY</p>	 <p>31-600 NEEDLE & SEAT ASSEMBLY</p>
--	---	---











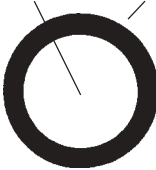


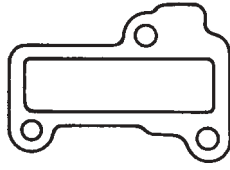
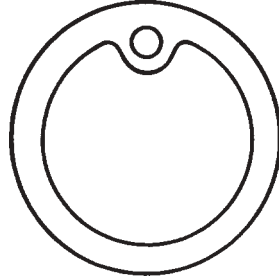
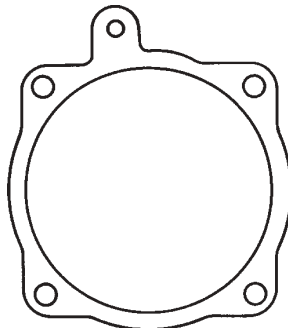
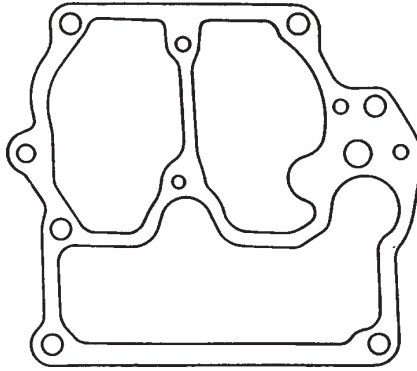
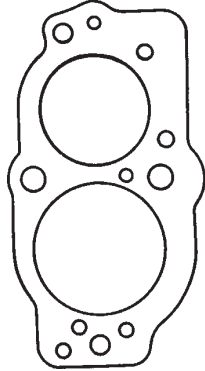
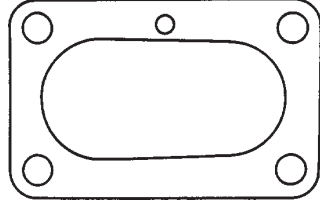
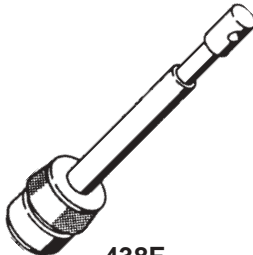

REFERENCE

**WALKER CARBURETOR
KIT #15528**

AISAN

"APPLICATION"

TOYOTA (4 cyl).....1972-70

 <p>90-21 CHECK BALL 1/8" STEEL</p>	 <p>90-12 CHECK BALL 5/32" STEEL</p>	 <p>62-56 ROD RETAINER</p>	 <p>32-11 COTTER PIN</p>	 <p>ID .158 OD .312 .060 THK.</p> <p>235F RUBBER PUMP DISCHARGE SEAL</p>	 <p>ID .187 OD .317 .032 THK.</p> <p>G495 RUBBER CHOKE HOUSING WASHER</p>
 <p>ID .200 OD .324 .030 THK.</p> <p>G1158 PUMP DISCHARGE NOZZLE WASHER</p>	 <p>ID .187 OD .347 .078 THK.</p> <p>481F RUBBER IDLE COMPENSATOR SEAL</p>	 <p>ID .404 OD .554 .032 THK.</p> <p>397F INLET FITTING WASHER</p>	 <p>ID .438 OD .559 .030 THK.</p> <p>G80 POWER JET WASHER</p>	 <p>ID .597 OD .818 .062 THK.</p> <p>377F FUEL LEVEL WINDOW SEAL</p>	
 <p>407F PRIMARY VENTURI GASKET</p>	 <p>406F SECONDARY VENTURI GASKET</p>	 <p>288F IDLE COMPENSATOR COVER GASKET</p>	 <p>287F CHOKE COVER GASKET</p>		
 <p>405F SECONDARY DIAPHRAGM GASKET</p>	 <p>403F BOWL COVER GASKET</p>	 <p>480F THROTTLE BODY GASKET</p>			
 <p>446F FLANGE GASKET</p>	 <p>438F LEATHER PUMP ASSEMBLY</p>	 <p>31-207 NEEDLE & SEAT ASSEMBLY</p>			





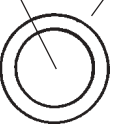
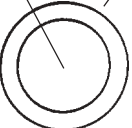

REFERENCE

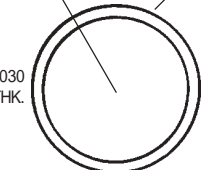





**WALKER CARBURETOR
KIT #15530A**


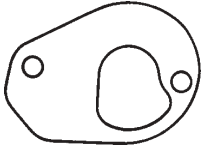
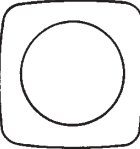
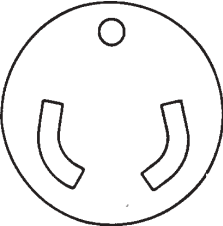
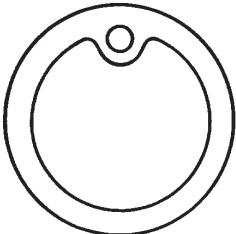
AISAN

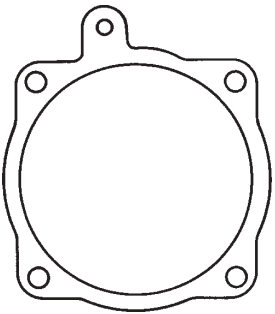
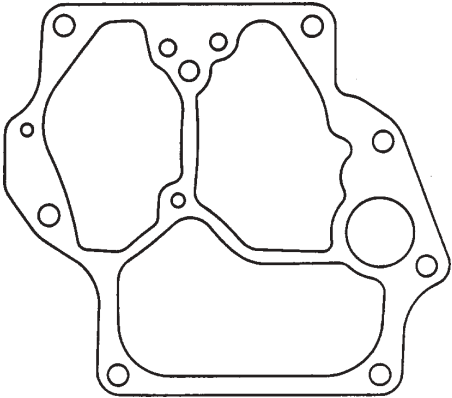
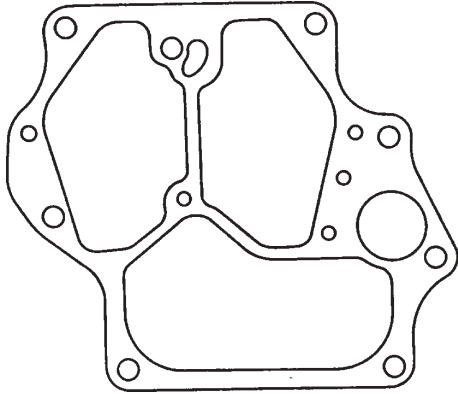
"APPLICATION"

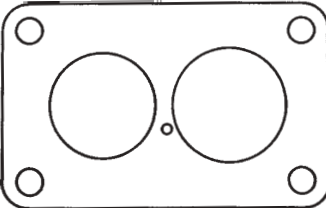
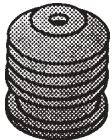
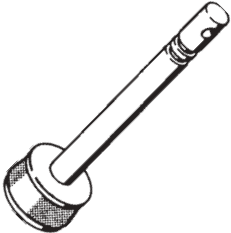

TOYOTA (6 cyl).....1972-67

		ID .176 OD .040 THK. 	ID .200 OD .324 OD .324 .030 THK. 	ID .404 OD .554 OD .554 .032 THK. 	ID .518 OD .690 OD .690 .040 THK. 	ID .597 OD .818 OD .818 .062 THK. 
62-56 ROD RETAINER	32-11 COTTER PIN	1075F CHOKE HOUSING O-RING	G1158 PUMP DISCHARGE NOZZLE WASHER	397F INLET FITTING WASHER	361F FUEL INLET WASHER	377F FUEL LEVEL WINDOW SEAL

ID .782 OD .930 OD .930 .030 THK. 					
G816 NYLON INLET FITTING WASHER	648F CHOKE HOUSING GASKET	646F VENTURI CLUSTER GASKET	651F PRI. VENTURI GASKET	399F VALVE BODY GASKET	652F ADAPTER PLATE GASKET

				
649F SEC. DIAPHRAGM GASKET	647F SEC. DIAPHRAGM PLATE GASKET	289F FUEL LEVEL WINDOW GASKET	650F CHOKE COVER GASKET	287F CHOKE COVER GASKET

		
405F SEC. DIAPHRAGM GASKET	490F BOWL COVER GASKET	658F BOWL COVER GASKET

			
556F FLANGE GASKET	545F PUMP PLUNGER BOOT	747F LEATHER PUMP ASSEMBLY	31-222 NEEDLE & SEAT ASSEMBLY














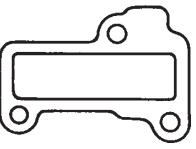
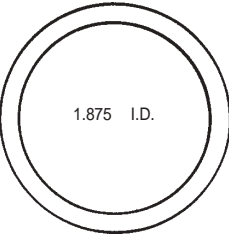
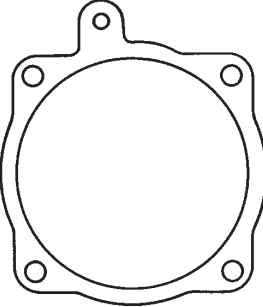
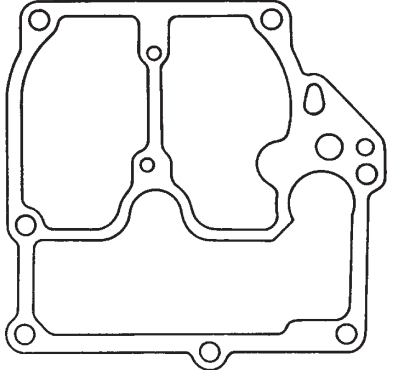
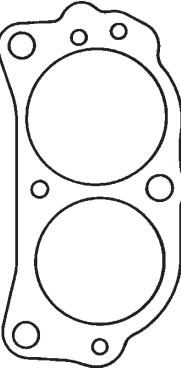
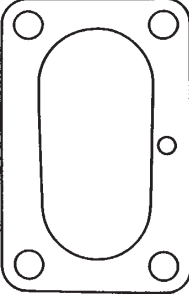
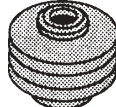

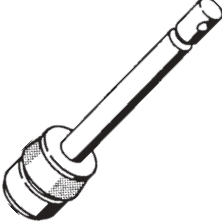

REFERENCE

**WALKER CARBURETOR
KIT #15531**

AISAN

"APPLICATION"

TOYOTA (4 cyl).....1973-71

 <p>90-21 CHECK BALL 1/8" STEEL</p>	 <p>90-12 CHECK BALL 5/32" STEEL</p>	 <p>62-56 ROD RETAINER</p>	 <p>32-11 COTTER PIN</p>	 <p>ID .158 OD .312 .060 THK.</p> <p>235F RUBBER PUMP DISCHARGE SEAL</p>	 <p>ID .187 OD .317 .032 THK.</p> <p>G495 RUBBER CHOKE HOUSING WASHER</p>
 <p>ID .200 OD .324 .030 THK.</p> <p>G1158 PUMP DISCHARGE NOZZLE WASHER</p>	 <p>ID .187 OD .347 .078 THK.</p> <p>481F RUBBER IDLE COMPENSATOR SEAL</p>	 <p>ID .404 OD .554 .032 THK.</p> <p>397F INLET FITTING WASHER</p>	 <p>ID .518 OD .690 .040 THK.</p> <p>361F FUEL INLET WASHER</p>	 <p>ID .597 OD .818 .062 THK.</p> <p>377F FUEL LEVEL WINDOW SEAL</p>	
 <p>447F PRI. VENTURI GASKET</p>	 <p>448F SEC. VENTURI GASKET</p>	 <p>288F IDLE COMPENSATOR COVER GASKET</p>	 <p>1.875 I.D.</p> <p>243F COIL HOUSING GASKET</p>	 <p>405F SECONDARY DIAPHRAGM GASKET</p>	
 <p>449F BOWL COVER GASKET</p>	 <p>450F THROTTLE BODY GASKET</p>	 <p>446F FLANGE GASKET</p>			
 <p>546F CHOKE SHAFT BOOT</p>	 <p>543F PUMP PLUNGER BOOT</p>	 <p>363F PUMP PLUNGER ASSEMBLY</p>	 <p>31-207 NEEDLE & SEAT ASSEMBLY</p>		






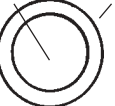
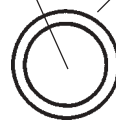
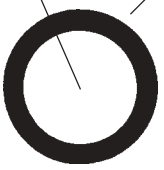

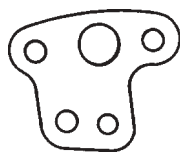
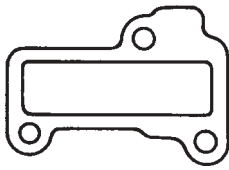
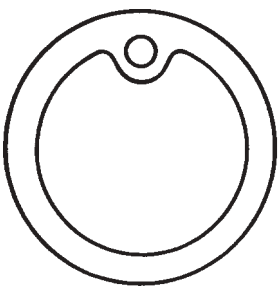
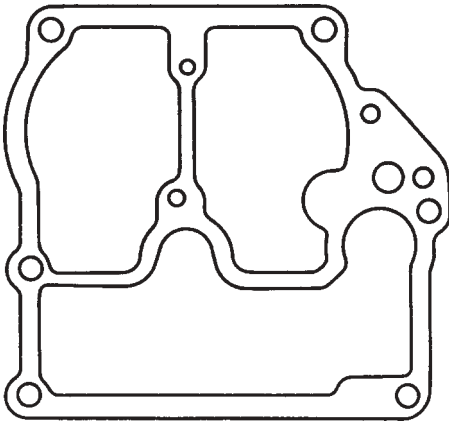
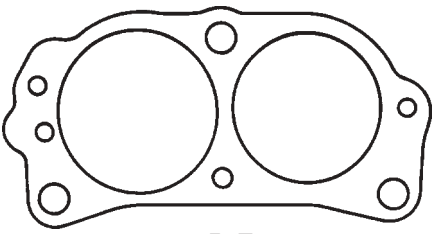
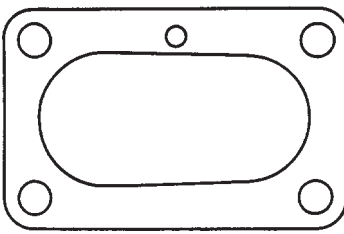
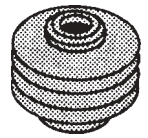
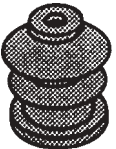
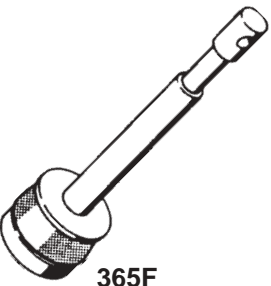
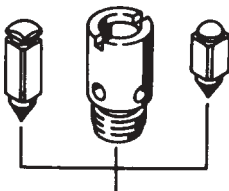
REFERENCE

**WALKER CARBURETOR
KIT #15548**

AISAN

"APPLICATION"

TOYOTA (4 cyl).....1971-69

 <p>62-56 ROD RETAINER</p>	 <p>32-11 COTTER PIN</p>	<p>ID .158 OD .312</p>  <p>.060 THK.</p> <p>235F RUBBER PUMP DISCHARGE SEAL</p>	<p>ID .200 OD .324</p>  <p>.030 THK.</p> <p>G1158 PUMP DISCHARGE NOZZLE WASHER</p>	<p>ID .187 OD .347</p>  <p>.078 THK.</p> <p>481F RUBBER IDLE COMPENSATOR SEAL</p>	<p>ID .404 OD .554</p>  <p>.032 THK.</p> <p>397F INLET FITTING WASHER</p>
<p>ID .438 OD .559</p>  <p>.030 THK.</p> <p>G80 POWER JET WASHER</p>	<p>ID .597 OD .818</p>  <p>.062 THK.</p> <p>377F FUEL LEVEL WINDOW SEAL</p>	 <p>368F VENTURI CLUSTER GASKET</p>	 <p>367F CHOKE HOUSING GASKET</p>		
 <p>288F IDLE COMPENSATOR COVER GASKET</p>	 <p>287F CHOKE COVER GASKET</p>	 <p>371F BOWL COVER GASKET</p>			
 <p>450F THROTTLE BODY GASKET</p>	 <p>446F FLANGE GASKET</p>	 <p>546F CHOKE SHAFT BOOT</p>			
 <p>543F PUMP PLUNGER BOOT</p>	 <p>365F LEATHER PUMP ASSEMBLY</p>	 <p>31-630 NEEDLE & SEAT ASSEMBLY</p>			





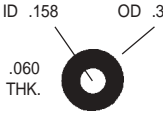
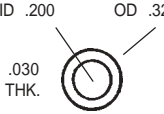


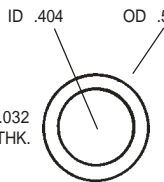
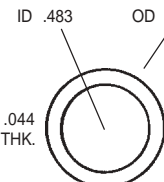
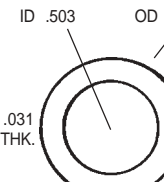
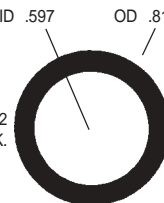


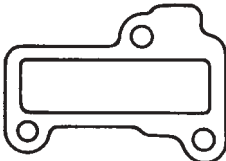
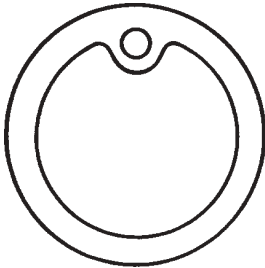
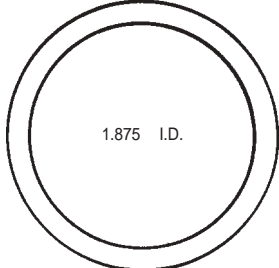
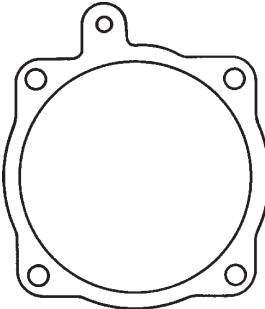
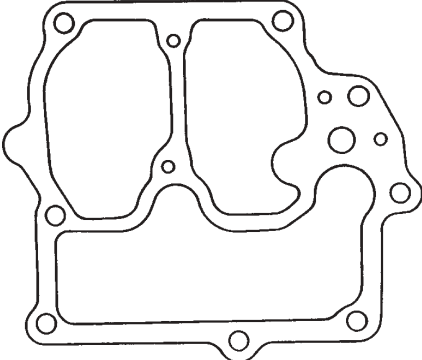
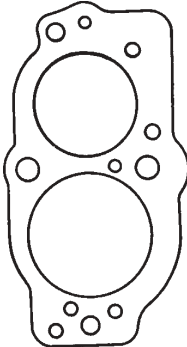
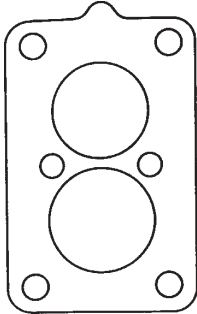
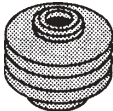

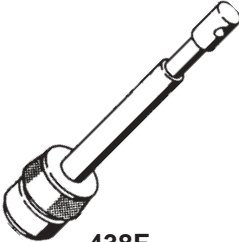

REFERENCE

**WALKER CARBURETOR
KIT #15551**

AISAN

"APPLICATION"

TOYOTA (4 cyl).....1974-73

 <p>90-21 CHECK BALL 1/8" STEEL</p>	 <p>90-12 CHECK BALL 5/32" STEEL</p>	 <p>62-56 ROD RETAINER</p>	 <p>32-11 COTTER PIN</p>	 <p>ID .158 OD .312 .060 THK.</p> <p>235F RUBBER PUMP DISCHARGE SEAL</p>	 <p>ID .200 OD .324 .030 THK.</p> <p>G1158 PUMP DISCHARGE NOZZLE WASHER</p>
 <p>ID .187 OD .317 .032 THK.</p> <p>G495 RUBBER CHOKE HOUSING WASHER</p>	 <p>ID .187 OD .347 .078 THK.</p> <p>481F RUBBER IDLE COMPENSATOR SEAL</p>	 <p>ID .404 OD .554 .032 THK.</p> <p>397F INLET FITTING WASHER</p>	 <p>ID .483 OD .625 .044 THK.</p> <p>824F FUEL VALVE WASHER</p>	 <p>ID .503 OD .727 .031 THK.</p> <p>G471 FUEL INLET FITTING WASHER</p>	 <p>ID .597 OD .818 .062 THK.</p> <p>377F FUEL LEVEL WINDOW SEAL</p>
 <p>407F PRI. VENTURI GASKET</p>	 <p>406F SEC. VENTURI GASKET</p>	 <p>288F IDLE COMPENSATOR COVER GASKET</p>	 <p>287F CHOKE COVER GASKET</p>	 <p>1.875 I.D.</p> <p>243F COIL HOUSING GASKET</p>	
 <p>405F SEC. DIAPHRAGM GASKET</p>	 <p>451F FLOAT CHAMBER GASKET</p>	 <p>480F THROTTLE BODY GASKET</p>	 <p>311F FLANGE GASKET</p>		
 <p>546F CHOKE SHAFT BOOT</p>	 <p>543F PUMP PLUNGER BOOT</p>	 <p>438F LEATHER PUMP ASSEMBLY</p>	 <p>31-602 NEEDLE & SEAT ASSEMBLY</p>		









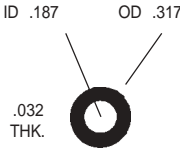
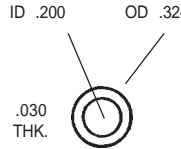
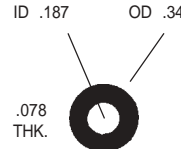
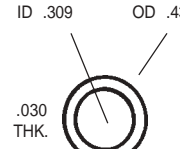
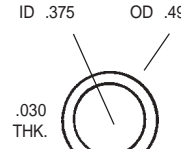
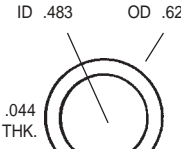
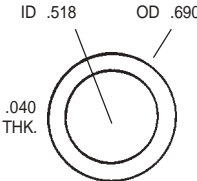
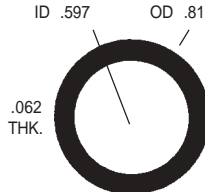
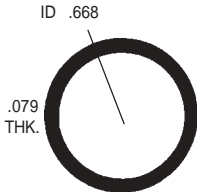


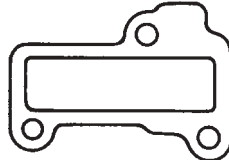
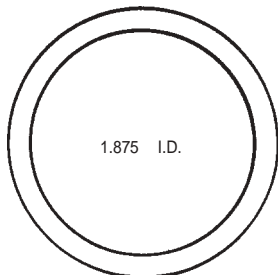
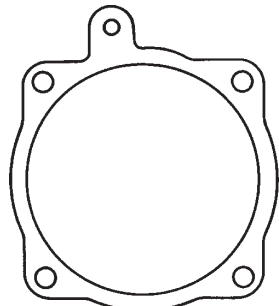
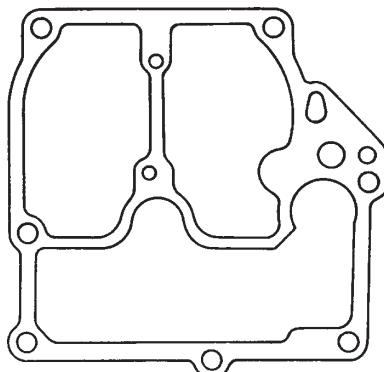
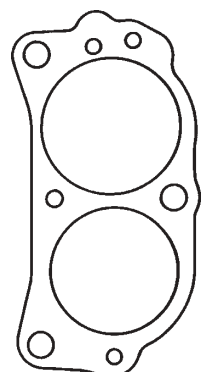
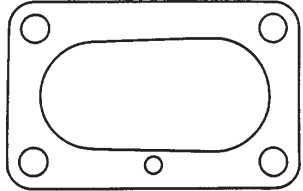
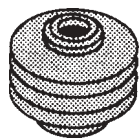
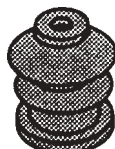
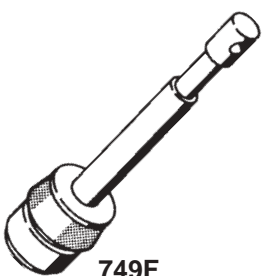
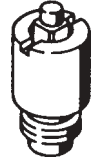
REFERENCE

**WALKER CARBURETOR
KIT #15583**

AISAN

"APPLICATION"

TOYOTA (4 cyl).....1974-73

							
90-21 CHECK BALL 1/8" STEEL	90-12 CHECK BALL 5/32" STEEL	62-42 "E" CLIP RETAINER	62-56 ROD RETAINER	32-11 COTTER PIN	32-55 COTTER PIN	603F O-RING	235F RUBBER PUMP DISCHARGE SEAL
							
G495 RUBBER CHOKE HOUSING WASHER	G1158 PUMP DISCHARGE NOZZLE WASHER	481F RUBBER IDLE COMPENSATOR SEAL	G50 NEEDLE SEAT WASHER	G52 DRAIN PLUG WASHER	824F FUEL VALVE WASHER		
							
361F FUEL INLET WASHER	377F FUEL LEVEL WINDOW SEAL	693F FUEL LEVEL WINDOW O-RING	448F SEC. VENTURI GASKET	447F PRI. VENTURI GASKET	288F IDLE COMPENSATOR COVER GASKET		
							
243F COIL HOUSING GASKET	405F SECONDARY DIAPHRAGM GASKET	449F BOWL COVER GASKET	450F THROTTLE BODY GASKET				
							
446F FLANGE GASKET	546F CHOKE SHAFT BOOT	543F PUMP PLUNGER BOOT	749F LEATHER PUMP ASSEMBLY	31-587 NEEDLE & SEAT ASSEMBLY			





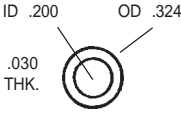

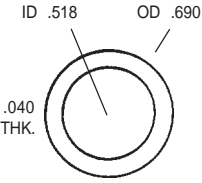
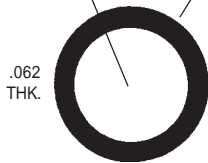
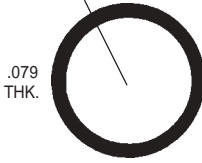



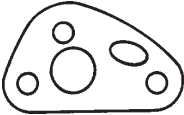
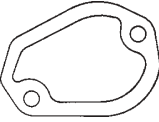
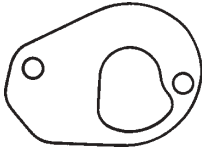
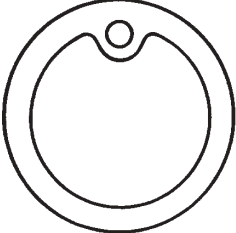
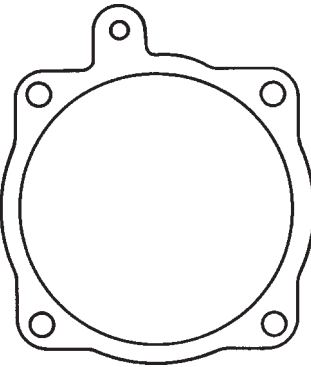
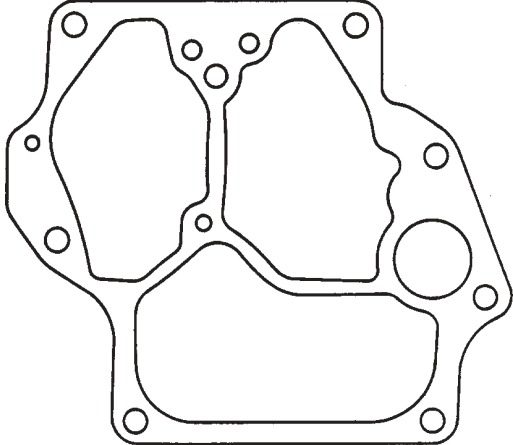
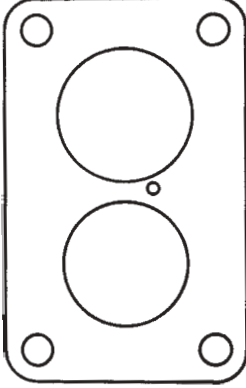
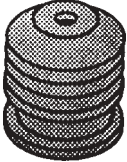
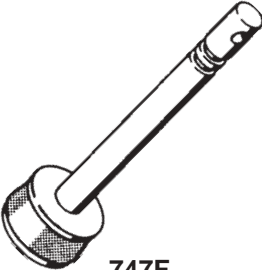

REFERENCE

**WALKER CARBURETOR
KIT #15584**

AISAN

"APPLICATION"

TOYOTA (6 cyl).....1974-73

 <p>90-21 CHECK BALL 1/8" STEEL</p>	 <p>90-12 CHECK BALL 5/32" STEEL</p>	 <p>62-56 ROD RETAINER</p>	 <p>32-11 COTTER PIN</p>	 <p>G1158 PUMP DISCHARGE NOZZLE WASHER</p>	 <p>G52 DRAIN PLUG WASHER</p>
 <p>361F FUEL INLET WASHER</p>	 <p>377F FUEL LEVEL WINDOW SEAL</p>	 <p>693F FUEL LEVEL WINDOW O-RING</p>	 <p>648F CHOKE HOUSING GASKET</p>	 <p>646F VENTURI CLUSTER GASKET</p>	
 <p>651F PRI. VENTURI GASKET</p>	 <p>649F SEC. DIAPHRAGM GASKET</p>	 <p>653F SEC. DIAPHRAGM PLATE GASKET</p>	 <p>647F SEC. DIAPHRAGM PLATE GASKET</p>	 <p>287F CHOKE COVER GASKET</p>	
 <p>405F SECONDARY DIAPHRAGM GASKET</p>	 <p>490F BOWL COVER GASKET</p>	 <p>556F FLANGE GASKET</p>			
 <p>545F PUMP PLUNGER BOOT</p>	 <p>747F LEATHER PUMP ASSEMBLY</p>	 <p>31-605 NEEDLE & SEAT ASSEMBLY</p>			














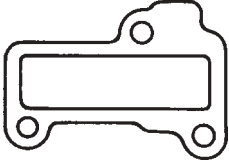
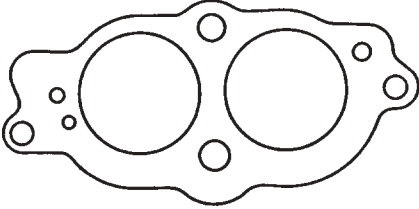
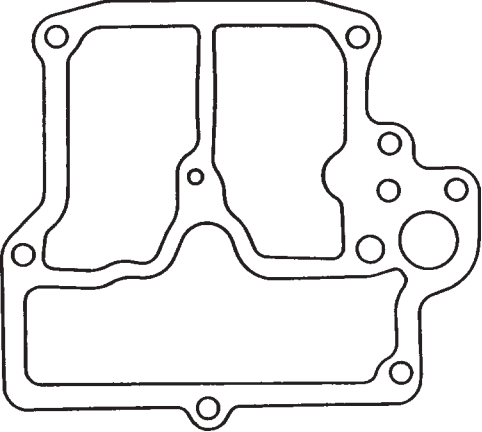
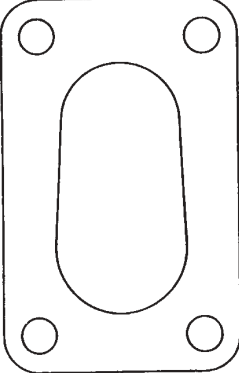
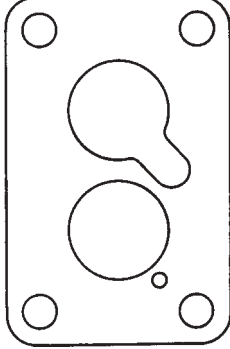
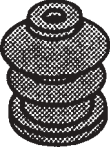
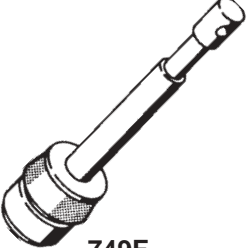

REFERENCE

**WALKER CARBURETOR
KIT #15586**

AISAN

"APPLICATION"

TOYOTA (4 cyl).....1979-73

 <p>90-21 CHECK BALL 1/8" STEEL</p>	 <p>90-12 CHECK BALL 5/32" STEEL</p>	 <p>62-56 ROD RETAINER</p>	 <p>32-11 COTTER PIN</p>	 <p>32-55 COTTER PIN</p>	 <p>ID .145 .041 THK.</p> <p>603F O-RING</p>
 <p>ID .200 OD .324 .030 THK.</p> <p>G1158 PUMP DISCHARGE NOZZLE WASHER</p>	 <p>ID .187 OD .347 .078 THK.</p> <p>481F RUBBER IDLE COMPENSATOR SEAL</p>	 <p>ID .234 OD .375 .030 THK.</p> <p>G57 FIBER JET WASHER</p>	 <p>ID .309 OD .434 .030 THK.</p> <p>G50 NEEDLE SEAT WASHER</p>	 <p>ID .375 OD .490 .030 THK.</p> <p>G52 DRAIN PLUG WASHER</p>	 <p>ID .483 OD .625 .044 THK.</p> <p>824F FUEL VALVE WASHER</p>
 <p>400F VENTURI CLUSTER GASKET</p>	 <p>288F IDLE COMPENSATOR COVER GASKET</p>	 <p>401F THROTTLE BODY GASKET</p>			
 <p>402F BOWL COVER GASKET</p>	 <p>486F FLANGE GASKET</p>	 <p>664F FLANGE GASKET</p>			
 <p>543F PUMP PLUNGER BOOT</p>	 <p>749F LEATHER PUMP ASSEMBLY</p>	 <p>31-601 NEEDLE & SEAT ASSEMBLY</p>			









REFERENCE








**WALKER CARBURETOR
KIT #15619B**

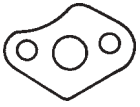

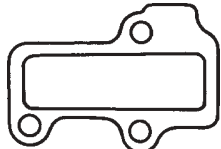
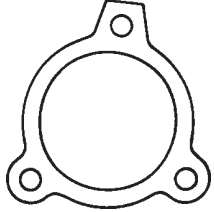
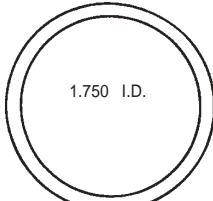
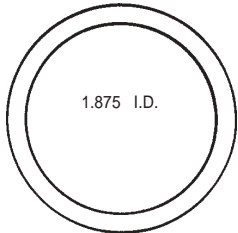
AISAN

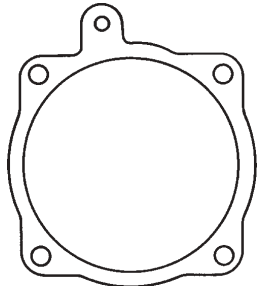
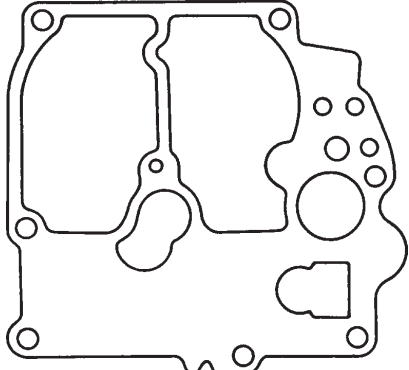
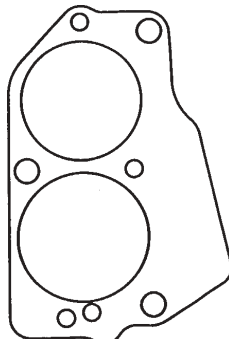
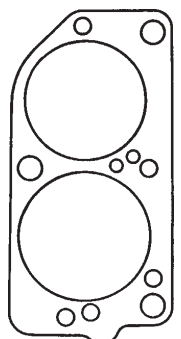
"APPLICATION"

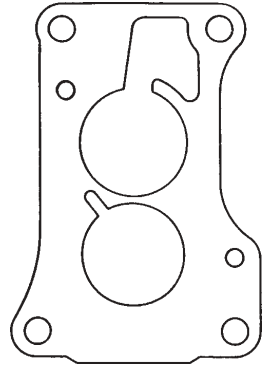
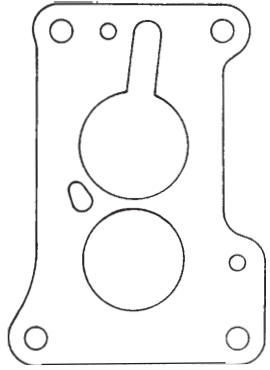
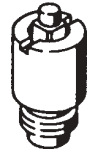
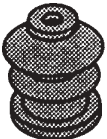

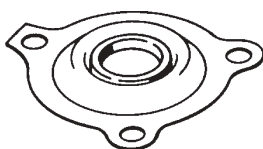
TOYOTA (4 cyl).....1980-75

 90-21 CHECK BALL 1/8" STEEL	 90-12 CHECK BALL 5/32" STEEL	 62-42 "E" CLIP RETAINER	 62-56 ROD RETAINER	ID .145 THK.  603F O-RING	ID .185 THK.  795F PUMP DISCHARGE NOZZLE O-RING	ID .187 THK. OD .317  G495 RUBBER CHOKE HOUSING WASHER	ID .200 THK. OD .324  G1158 PUMP DISCHARGE NOZZLE WASHER
---	--	---	--	--	---	---	---

ID .187 OD .347  .078 THK. 481F RUBBER IDLE COMPENSATOR SEAL	ID .309 OD .434  .030 THK. G50 NEEDLE SEAT WASHER	ID .309 OD .499  .061 THK. 1056F MAIN SCREW GLAND WASHER	ID .375 OD .490  .030 THK. G52 DRAIN PLUG WASHER	ID .483 OD .625  .044 THK. 824F FUEL VALVE WASHER	ID .668  .079 THK. 693F FUEL LEVEL WINDOW O-RING	 904F PRI. CLUSTER PASSAGE SEAL
---	--	---	---	--	---	--

 447F PRI. VENTURI GASKET	 448F SEC. VENTURI GASKET	 529F IDLE COMPENSATOR COVER GASKET	 530F ENRICH. DIAPHRAGM GASKET	 1.750 I.D. 591F WATER CHOKE HOUSING GASKET	 1.875 I.D. 243F COIL HOUSING GASKET
---	--	--	---	--	--

 405F SEC. DIAPHRAGM GASKET	 539F BOWL COVER GASKET	 533F THROTTLE BODY INSULATOR	 860F THROTTLE BODY GASKET
--	---	--	--

 549F FLANGE GASKET	 535F FLANGE GASKET	 31-587 NEEDLE & SEAT ASSEMBLY	 543F PUMP PLUNGER BOOT	 755F LEATHER PUMP ASSEMBLY	 554F ENRICH. DIAPHRAGM ASSEMBLY
--	---	---	--	---	---









REFERENCE







**WALKER CARBURETOR
KIT #15620C**

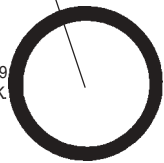


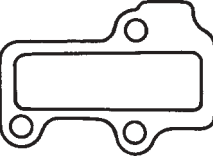
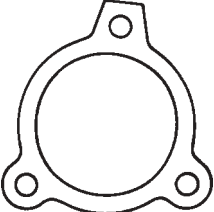
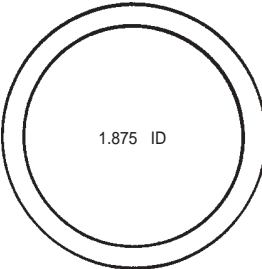
AISAN

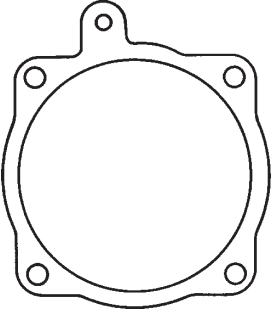
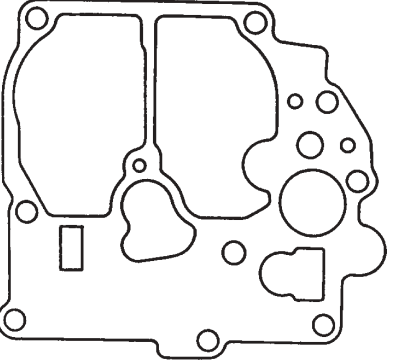
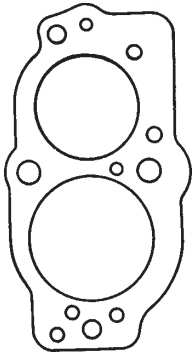
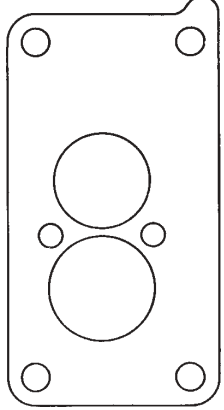
"APPLICATION"

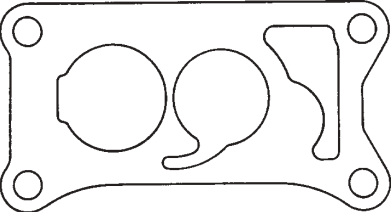

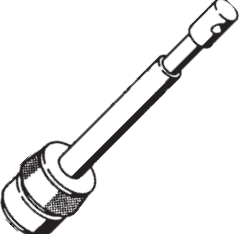
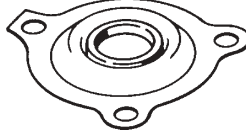

TOYOTA (4 cyl).....1980-75

				 ID .145 .041 THK.	 ID .185 .056 THK.	 ID .158 OD .312 .060 THK.	 ID .187 OD .317 .032 THK.
90-21 CHECK BALL 1/8" STEEL	90-12 CHECK BALL 5/32" STEEL	62-42 "E" CLIP RETAINER	62-56 ROD RETAINER	603F O-RING	795F O-RING	235F RUBBER PUMP DISCHARGE SEAL	G495 RUBBER CHOKE HOUSING WASHER

 ID .200 OD .324 .030 THK.	 ID .187 OD .347 .078 THK.	 ID .309 OD .434 .030 THK.	 ID .375 OD .490 .030 THK.	 ID .483 OD .625 .044 THK.	 ID .503 OD .727 .031 THK.
G1158 PUMP DISCHARGE NOZZLE WASHER	481F RUBBER IDLE COMPENSATOR SEAL	G50 NEEDLE SEAT WASHER	G52 DRAIN PLUG WASHER	824F FUEL VALVE WASHER	G471 FUEL INLET FITTING WASHER

 ID .668 .079 THK.					 1.875 ID
693F FUEL LEVEL WINDOW O-RING	407F PRI. VENTURI GASKET	406F SEC. VENTURI GASKET	529F IDLE COMPENSATOR COVER GASKET	530F ENRICH. DIAPHRAGM GASKET	243F COIL HOUSING GASKET

			
405F SEC. DIAPHRAGM GASKET	550F BOWL COVER GASKET	480F THROTTLE BODY GASKET	534F FLANGE GASKET

				
551F FLANGE GASKET	543F PUMP PLUNGER BOOT	438F LEATHER PUMP ASSEMBLY	554F ENRICH. DIAPHRAGM ASSEMBLY	31-610 NEEDLE & SEAT ASSEMBLY









REFERENCE

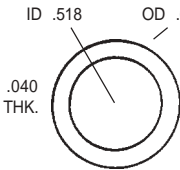



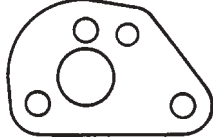
**WALKER CARBURETOR
KIT #15621**

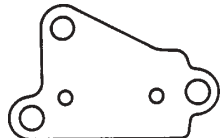
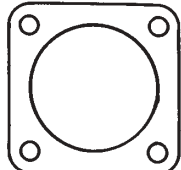
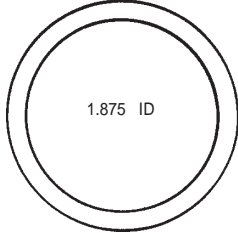
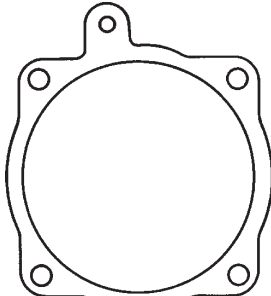
AISAN

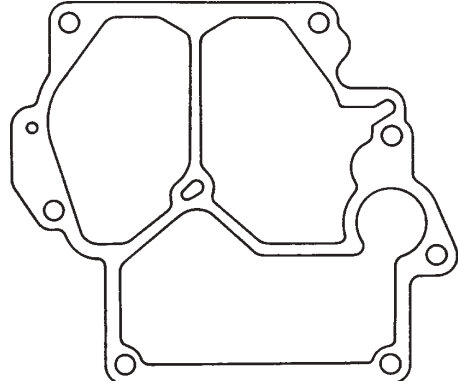
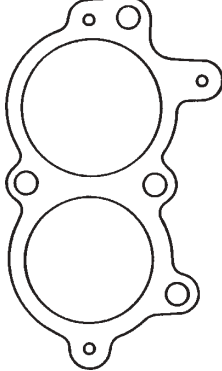
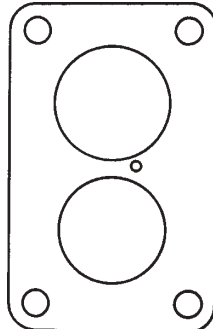
"APPLICATION"

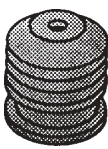
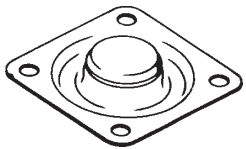
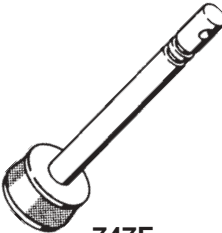

TOYOTA (6 cyl).....1976-75

			 ID .145 .041 THK.	 ID .185 .056 THK.	 ID .200 OD .234 .030 THK.	 ID .309 OD .434 .030 THK.	 ID .375 OD .490 .030 THK.
90-21 CHECK BALL 1/8" STEEL	90-12 CHECK BALL 5/32" STEEL	62-56 ROD RETAINER	603F O-RING	795F O-RING	G1158 PUMP DISCHARGE NOZZLE WASHER	G50 NEEDLE SEAT WASHER	G52 DRAIN PLUG WASHER

 ID .518 OD .690 .040 THK.	 ID .668 .079 THK.			
361F FUEL INLET WASHER	693F FUEL LEVEL WINDOW O-RING	646F VENTURI CLUSTER GASKET	651F PRIMARY VENTURI GASKET	606F SEC. DIAPHRAGM MOUNTING GASKET

		 1.875 ID	
645F AUXILIARY DIAPHRAGM HOUSING GASKET	G1162 ENRICHMENT DIAPHRAGM GASKET	243F COIL HOUSING GASKET	405F SECONDARY DIAPHRAGM GASKET

		
604F BOWL COVER GASKET	605F THROTTLE BODY GASKET	556F FLANGE GASKET

			
545F PUMP PLUNGER BOOT	548F ENRICHMENT DIAPHRAGM ASSEMBLY	747F LEATHER PUMP ASSEMBLY	31-605 NEEDLE & SEAT ASSEMBLY






REFERENCE




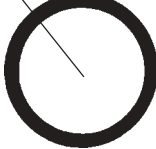
**WALKER CARBURETOR
KIT #15641**


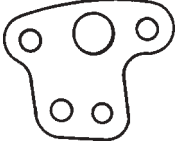
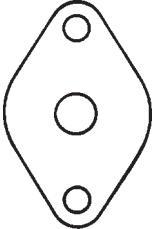
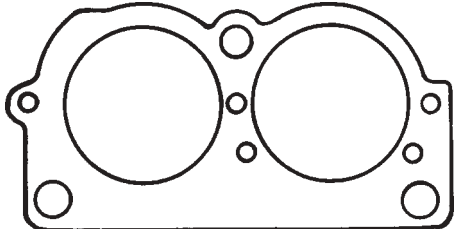
AISAN

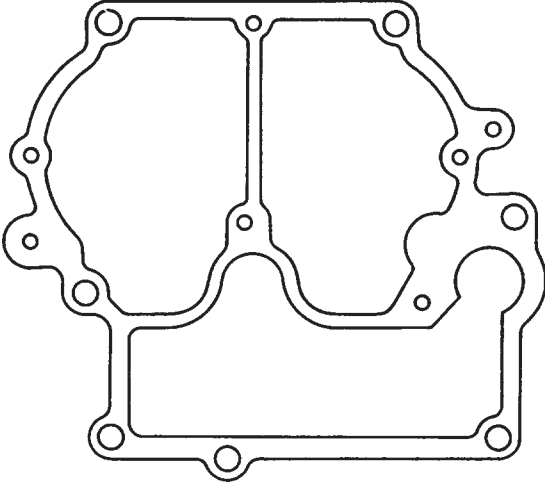
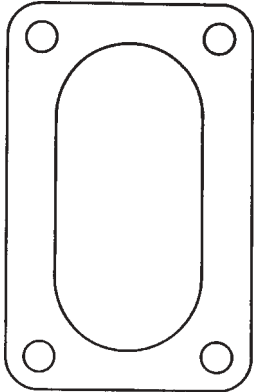
"APPLICATION"

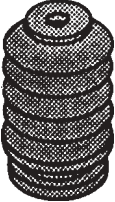
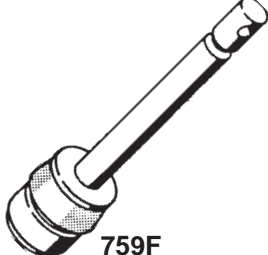

TOYOTA (6 cyl).....1973-70

 90-21 CHECK BALL 1/8" STEEL	 90-12 CHECK BALL 5/32" STEEL	 62-56 ROD RETAINER	<p>ID .158 OD .312</p>  <p>.060 THK.</p> 235F RUBBER PUMP DISCHARGE SEAL	<p>ID .200 OD .324</p>  <p>.030 THK.</p> G1158 PUMP DISCHARGE NOZZLE WASHER
---	--	--	--	---

<p>ID .375 OD .490</p>  <p>.030 THK.</p> G52 DRAIN PLUG WASHER	<p>ID .438 OD .559</p>  <p>.030 THK.</p> G80 POWER JET WASHER	<p>ID .597 OD .818</p>  <p>.062 THK.</p> 377F FUEL LEVEL WINDOW SEAL	<p>ID .668</p>  <p>.079 THK.</p> 693F FUEL LEVEL WINDOW O-RING
--	---	---	---

 656F VENTURI CLUSTER GASKET	 367F CHOKE HOUSING GASKET	 657F SOLENOID VALVE GASKET	 1261F THROTTLE BODY GASKET
---	---	--	--

 659F BOWL COVER GASKET	 744F FLANGE GASKET
--	--

 544F PUMP PLUNGER BOOT	 759F LEATHER PUMP ASSEMBLY	 31-614 NEEDLE & SEAT ASSEMBLY
--	---	---




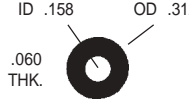
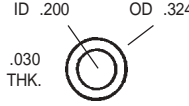
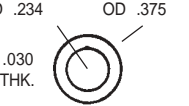
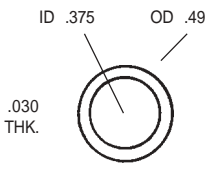
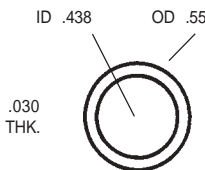
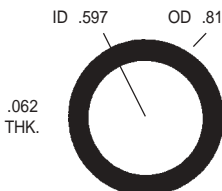
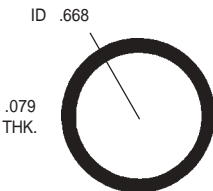

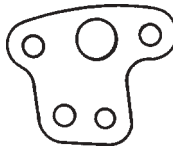
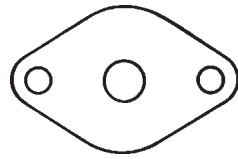
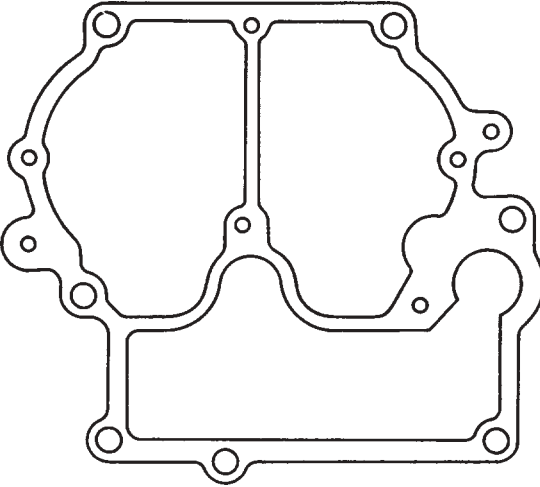
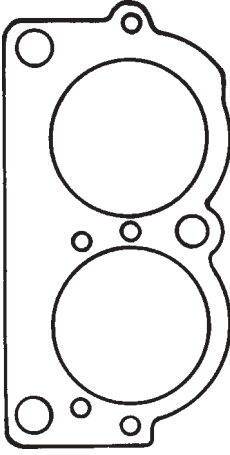
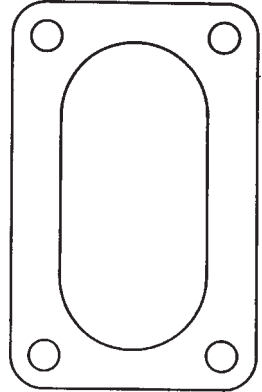

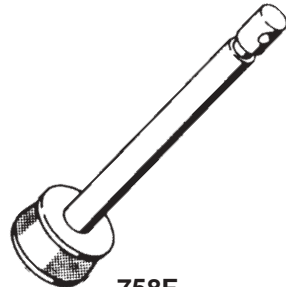

REFERENCE

**WALKER CARBURETOR
KIT #15642**

AISAN

"APPLICATION"

TOYOTA (6 cyl).....1975-73

 <p>90-21 CHECK BALL 1/8" STEEL</p>	 <p>90-12 CHECK BALL 5/32" STEEL</p>	 <p>62-56 ROD RETAINER</p>	 <p>235F RUBBER PUMP DISCHARGE SEAL</p>	 <p>G1158 PUMP DISCHARGE NOZZLE WASHER</p>	 <p>G57 FIBER JET WASHER</p>
 <p>G52 DRAIN PLUG WASHER</p>	 <p>G80 POWER JET WASHER</p>	 <p>377F FUEL LEVEL WINDOW SEAL</p>	 <p>693F FUEL LEVEL WINDOW O-RING</p>		
 <p>656F VENTURI CLUSTER GASKET</p>	 <p>367F CHOKE HOUSING GASKET</p>	 <p>657F SOLENOID VALVE GASKET</p>			
 <p>659F BOWL COVER GASKET</p>	 <p>1261F THROTTLE BODY GASKET</p>	 <p>744F FLANGE GASKET</p>			
 <p>544F PUMP PLUNGER BOOT</p>	 <p>758F LEATHER PUMP ASSEMBLY</p>	 <p>31-614 NEEDLE & SEAT ASSEMBLY</p>			







REFERENCE






**WALKER CARBURETOR
KIT #15643**

AISAN

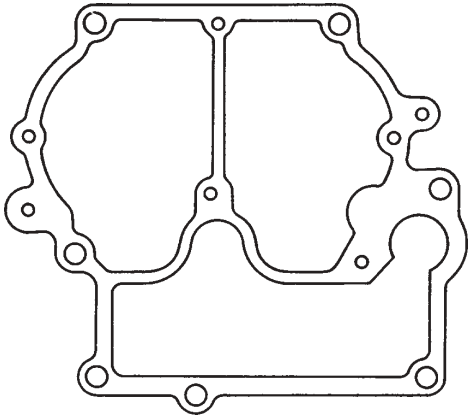
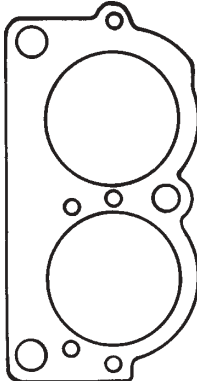
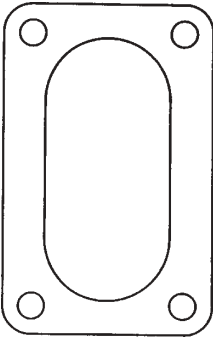
"APPLICATION"

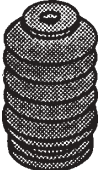

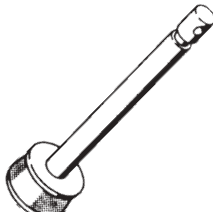

TOYOTA (6 cyl).....1980-75

			ID .145  .041 THK.	ID .187 OD .317  .032 THK.	ID .200 OD .324  .030 THK.
90-21 CHECK BALL 1/8" STEEL	90-12 CHECK BALL 5/32" STEEL	62-56 ROD RETAINER	603F O-RING	G495 RUBBER CHOKE HOUSING WASHER	G1158 PUMP DISCHARGE NOZZLE WASHER

ID .309 OD .434  .032 THK.	ID .375 OD .490  .030 THK.	ID .445 OD .587  .060 THK.	ID .483 OD .625  .044 THK.	ID .668  .079 THK.
G50 NEEDLE SEAT WASHER	G52 DRAIN PLUG WASHER	796F ALUM. NEEDLE SEAT WASHER	824F FUEL VALVE WASHER	693F FUEL LEVEL WINDOW O-RING

		
656F VENTURI CLUSTER GASKET	530F ENRICHMENT DIAPHRAGM GASKET	405F SECONDARY DIAPHRAGM GASKET

		
659F BOWL COVER GASKET	1261F THROTTLE BODY GASKET	744F FLANGE GASKET

			
544F PUMP PLUNGER BOOT	554F ENRICH. DIAPHRAGM ASSEMBLY	758F LEATHER PUMP ASSEMBLY	31-613 NEEDLE & SEAT ASSEMBLY









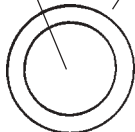




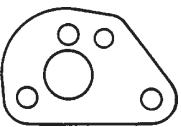
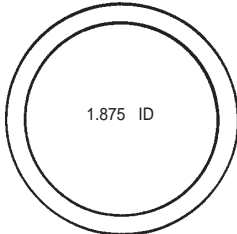
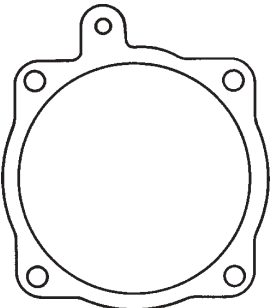
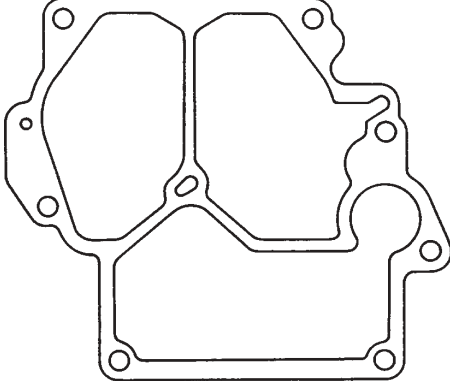
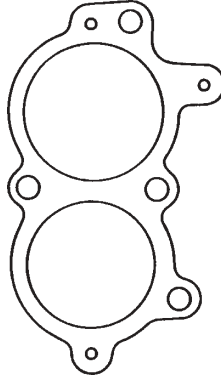
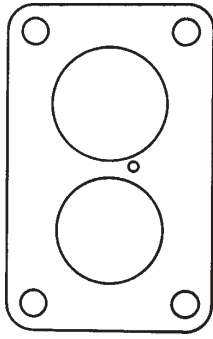
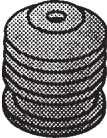


REFERENCE

**WALKER CARBURETOR
KIT #15703**

AISAN

"APPLICATION"

TOYOTA (6 cyl).....1979-78

 <p>90-21 CHECK BALL 1/8" STEEL</p>	 <p>90-12 CHECK BALL 5/32" STEEL</p>	 <p>62-56 ROD RETAINER</p>	 <p>ID .145 .041 THK.</p> <p>603F O-RING</p>	 <p>ID .185 .056 THK.</p> <p>795F PUMP DISCHARGE NOZZLE O-RING</p>	 <p>ID .200 OD .324 .030 THK.</p> <p>G1158 PUMP DISCHARGE NOZZLE WASHER</p>
 <p>ID .309 OD .434 .030 THK.</p> <p>G50 NEEDLE SEAT WASHER</p>	 <p>ID .375 OD .490 .030 THK.</p> <p>G52 DRAIN PLUG WASHER</p>	 <p>ID .518 OD .690 .040 THK.</p> <p>361F FUEL INLET WASHER</p>	 <p>ID .668 .079 THK.</p> <p>693F FUEL LEVEL WINDOW O-RING</p>	 <p>904F PRI. CLUSTER PASSAGE SEAL</p>	 <p>646F VENTURI CLUSTER GASKET</p>
 <p>651F PRIMARY VENTURI GASKET</p>	 <p>606F SECONDARY DIAPHRAGM MOUNTING GASKET</p>	 <p>1.875 ID</p> <p>243F COIL HOUSING GASKET</p>	 <p>405F SECONDARY DIAPHRAGM GASKET</p>		
 <p>604F BOWL COVER GASKET</p>	 <p>605F THROTTLE BODY GASKET</p>	 <p>556F FLANGE GASKET</p>			
 <p>545F PUMP PLUNGER BOOT</p>	 <p>747F LEATHER PUMP ASSEMBLY</p>	 <p>31-628 NEEDLE & SEAT ASSEMBLY</p>			








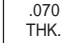
REFERENCE




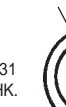
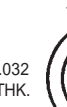
**WALKER CARBURETOR
KIT #15827A**

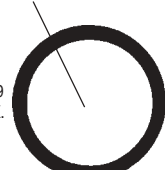
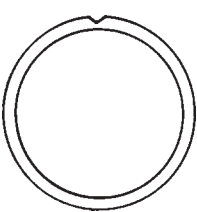
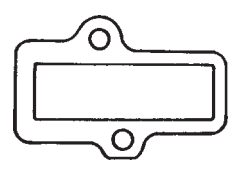
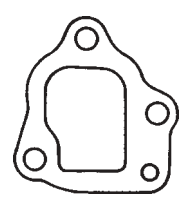
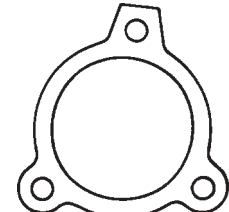
AISAN

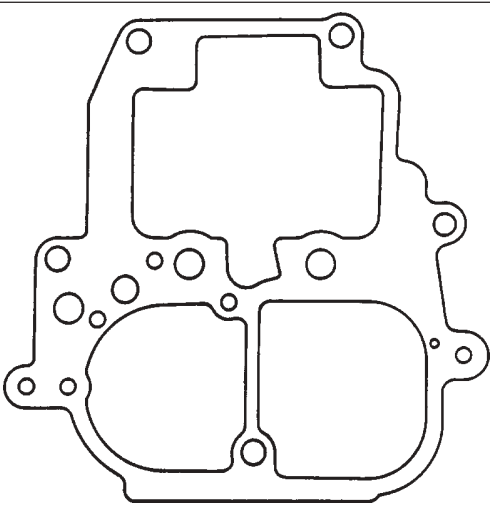
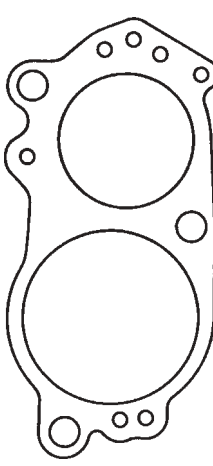
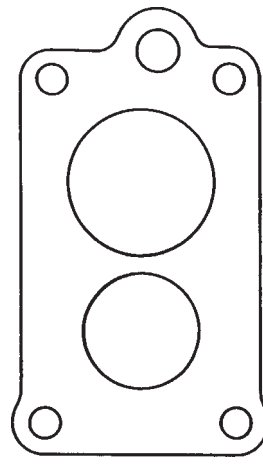
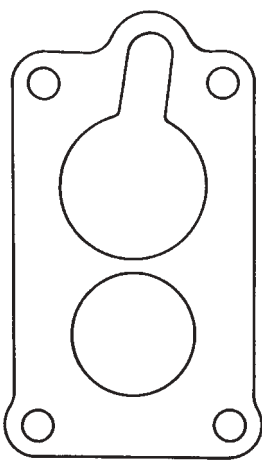
"APPLICATION"


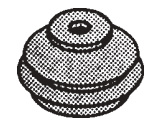
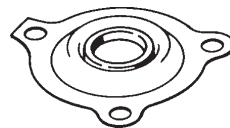
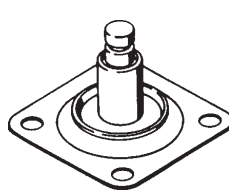
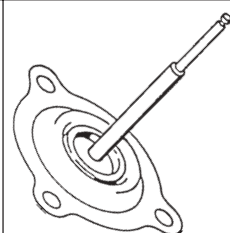

TOYOTA (4 cyl).....1990-81

				 ID .145 .041 THK.	 ID .145 .070 THK.	 ID .185 .056 THK.	 ID .176 .070 THK.
90-21 CHECK BALL 1/8" STEEL	90-12 CHECK BALL 5/32" STEEL	62-56 ROD RETAINER	32-11 COTTER PIN	603F O-RING	G274 SEC. JET TUBE O-RING	795F PUMP DISCHARGE NOZZLE O-RING	G273 SEC. CONNECTING TUBE O-RING

 ID .200 OD .324 .030 THK.	 ID .187 OD .347 .078 THK.	 ID .314 OD .500 .033 THK.	 ID .404 OD .511 .031 THK.	 ID .485 OD .626 .032 THK.
G1158 PUMP DISCHARGE NOZZLE WASHER	481F RUBBER IDLE COMPENSATOR SEAL	670F FUEL INLET SEAL WASHER	G871 POWER VALVE WASHER	215F FUEL VALVE SEAT WASHER

 ID .668 .079 THK.				
693F FUEL LEVEL WINDOW O-RING	871F CHOKE COVER GASKET	849F IDLE COMPENSATOR COVER GASKET	852F BOWL VENT SOLENOID GASKET	530F ENRICH. DIAPHRAGM GASKET

			
853F BOWL COVER GASKET	854F THROTTLE BODY GASKET	850F LOWER FLANGE GASKET	851F UPPER FLANGE GASKET

					
905F CHOKE COVER POP RIVET	863F ACCELERATOR PUMP BOOT	554F ENRICH. DIAPHRAGM ASSEMBLY	864F PUMP DIAPHRAGM ASSEMBLY	1165F CHOKE DIAPHRAGM ASSEMBLY	31-637 NEEDLE & SEAT ASSEMBLY










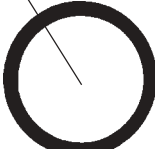


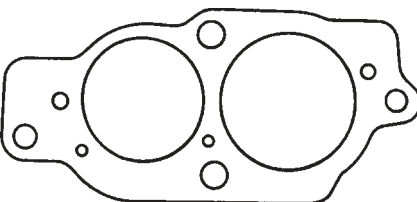
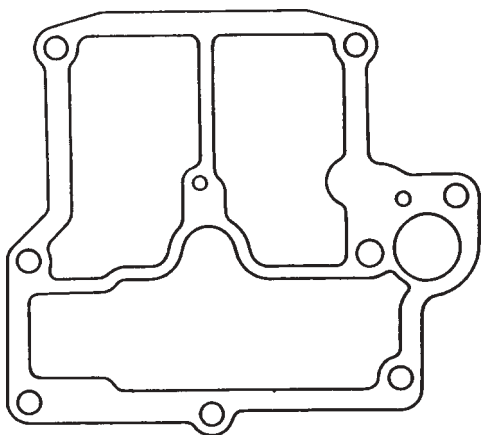
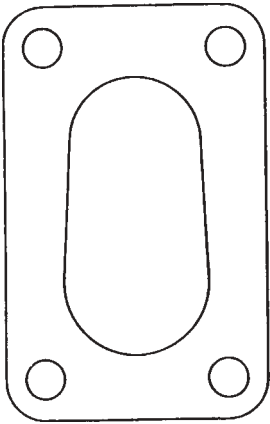
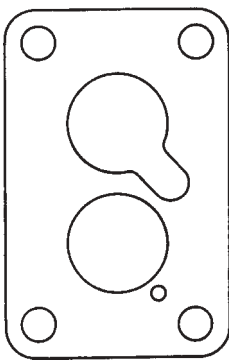
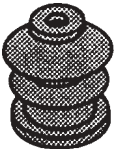
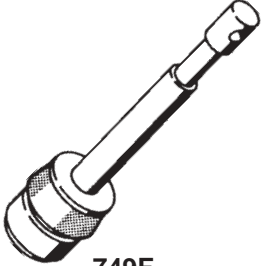

REFERENCE

**WALKER CARBURETOR
KIT #15828**

AISAN

"APPLICATION"

TOYOTA (4 cyl).....1982-81

 <p>90-21 CHECK BALL 1/8" STEEL</p>	 <p>90-12 CHECK BALL 5/32" STEEL</p>	 <p>62-56 ROD RETAINER</p>	 <p>ID .092 .063 THK. 705F IDLE NEEDLE SEAL O-RING</p>	 <p>ID .145 .041 THK. 603F O-RING</p>	 <p>ID .200 OD .324 .030 THK. G1158 PUMP DISCHARGE NOZZLE WASHER</p>
 <p>ID .375 OD .490 .030 THK. G52 DRAIN PLUG WASHER</p>	 <p>ID .314 OD .500 .033 THK. 670F FUEL INLET SEAL WASHER</p>	 <p>ID .485 OD .626 .032 THK. 215F FUEL VALVE SEAT WASHER</p>	 <p>ID .668 .079 THK. 693F FUEL LEVEL WINDOW O-RING</p>		
 <p>400F VENTURI CLUSTER GASKET</p>	 <p>857F SECONDARY VENTURI GASKET</p>	 <p>856F THROTTLE BODY GASKET</p>			
 <p>855F BOWL COVER GASKET</p>	 <p>486F FLANGE GASKET</p>	 <p>664F FLANGE GASKET</p>			
 <p>543F PUMP PLUNGER BOOT</p>	 <p>749F LEATHER PUMP ASSEMBLY</p>	 <p>31-638 NEEDLE & SEAT ASSEMBLY</p>			









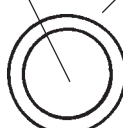
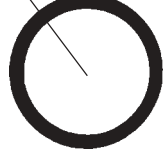



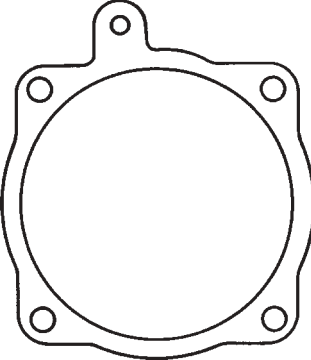
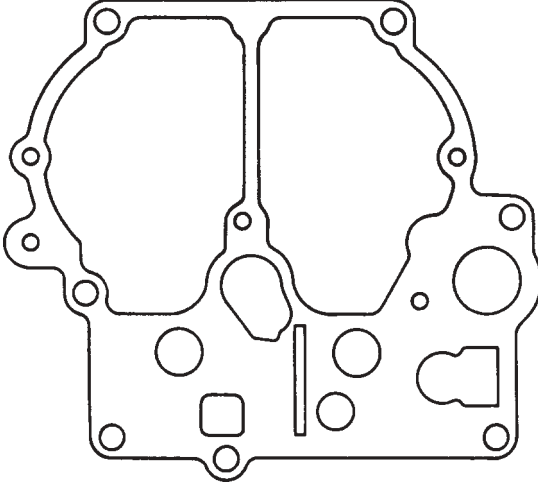
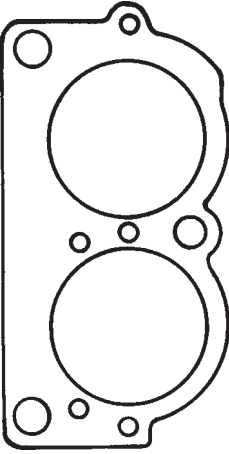
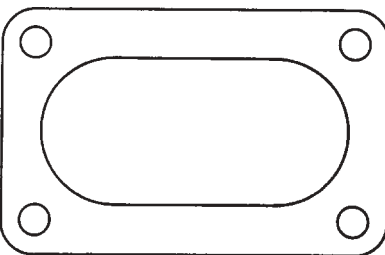
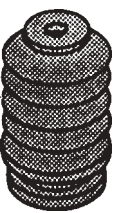
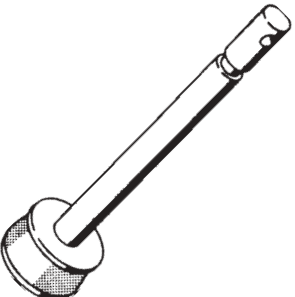
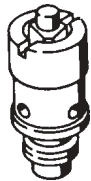
REFERENCE

**WALKER CARBURETOR
KIT #15829**

AISAN

"APPLICATION"

TOYOTA (6 cyl).....1987-81

 <p>90-21 CHECK BALL 1/8" STEEL</p>	 <p>90-12 CHECK BALL 5/32" STEEL</p>	 <p>62-56 ROD RETAINER</p>	 <p>ID .145 .041 THK. 603F O-RING</p>	 <p>ID .176 OD .324 .060 THK. G282 CORK CHOKE HOUSING WASHER</p>	 <p>ID .200 OD .324 .030 THK. G1158 PUMP DISCHARGE NOZZLE WASHER</p>
 <p>ID .309 OD .434 .030 THK. G50 NEEDLE SEAT WASHER</p>	 <p>ID .375 OD .490 .030 THK. G52 DRAIN PLUG WASHER</p>	 <p>ID .485 OD .626 .032 THK. 215F FUEL VALVE SEAT WASHER</p>	 <p>ID .668 .079 THK. 693F FUEL LEVEL WINDOW O-RING</p>		
 <p>904F PRIMARY CLUSTER PASSAGE SEAL</p>	 <p>859F SECONDARY IDLE ASSEMBLY GASKET</p>	 <p>656F VENTURI CLUSTER GASKET</p>			
 <p>405F SECONDARY DIAPHRAGM GASKET</p>	 <p>858F BOWL COVER GASKET</p>	 <p>1261F THROTTLE BODY GASKET</p>			
 <p>744F FLANGE GASKET</p>	 <p>544F PUMP PLUNGER BOOT</p>	 <p>865F ACCELERATOR PUMP ASSEMBLY</p>	 <p>31-639 NEEDLE & SEAT ASSEMBLY</p>		
















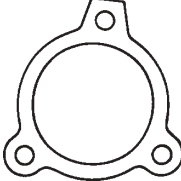
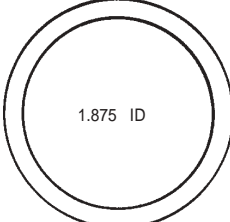
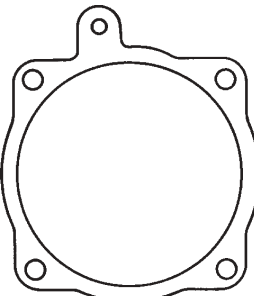
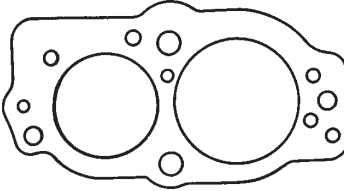

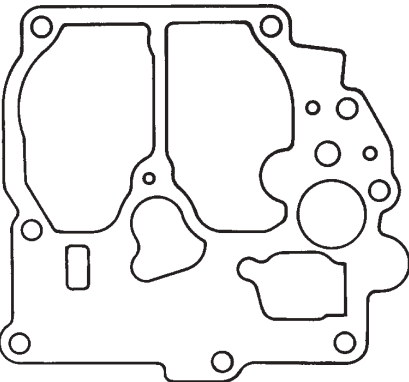
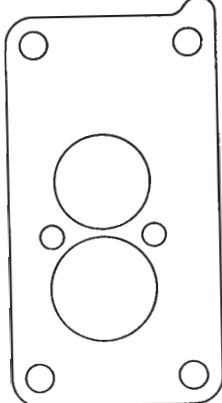
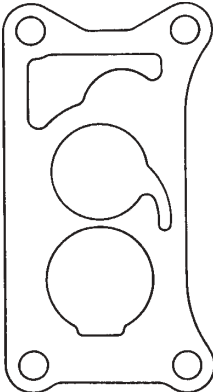
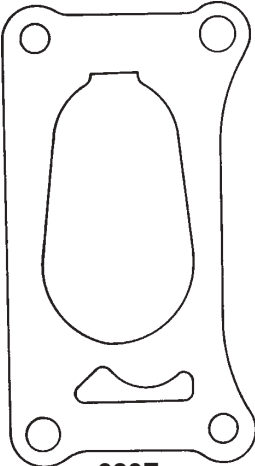

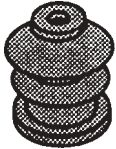
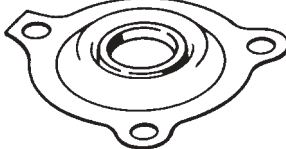
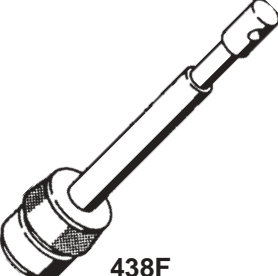

REFERENCE

**WALKER CARBURETOR
KIT #15830A**

AISAN

"APPLICATION"

TOYOTA (4 cyl).....1988-81

 <p>90-21 CHECK BALL 1/8" STEEL</p>	 <p>90-12 CHECK BALL 5/32" STEEL</p>	 <p>62-42 "E" CLIP RETAINER</p>	 <p>62-56 ROD RETAINER</p>	 <p>ID .145 .041 THK. 603F O-RING</p>	 <p>ID .185 .056 THK. 795F PUMP DISCHARGE NOZZLE O-RING</p>	 <p>ID .158 OD .312 .060 THK. 235F RUBBER PUMP DISCHARGE SEAL</p>	 <p>ID .187 OD .317 .032 THK. G495 RUBBER CHOKE HOUSING WASHER</p>
 <p>ID .200 OD .324 .030 THK. G1158 PUMP DISCHARGE NOZZLE WASHER</p>	 <p>ID .309 OD .434 .030 THK. G50 NEEDLE SEAT WASHER</p>	 <p>ID .375 OD .490 .030 THK. G52 DRAIN PLUG WASHER</p>	 <p>ID .483 OD .625 .044 THK. 824F FUEL VALVE WASHER</p>	 <p>ID .668 .079 THK. 693F FUEL LEVEL WINDOW O-RING</p>	 <p>904F PRI. CLUSTER PASSAGE SEAL</p>		
 <p>407F PRI. VENTURI GASKET</p>	 <p>530F ENRICH. DIAPHRAGM GASKET</p>	 <p>1.875 ID 243F COIL HOUSING GASKET</p>	 <p>405F SEC. DIAPHRAGM GASKET</p>	 <p>480F THROTTLE BODY GASKET</p>			
 <p>406F SEC. VENTURI GASKET</p>							
 <p>861F BOWL COVER GASKET</p>	 <p>534F FLANGE GASKET</p>	 <p>551F FLANGE GASKET</p>	 <p>980F FLANGE GASKET</p>				
 <p>905F CHOKE COVER POP RIVET</p>	 <p>543F PUMP PLUNGER BOOT</p>	 <p>554F ENRICH. DIAPHRAGM ASSEMBLY</p>	 <p>438F LEATHER PUMP ASSEMBLY</p>	 <p>31-637 NEEDLE & SEAT ASSEMBLY</p>			







REFERENCE




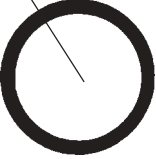
**WALKER CARBURETOR
KIT #15846**

AISAN

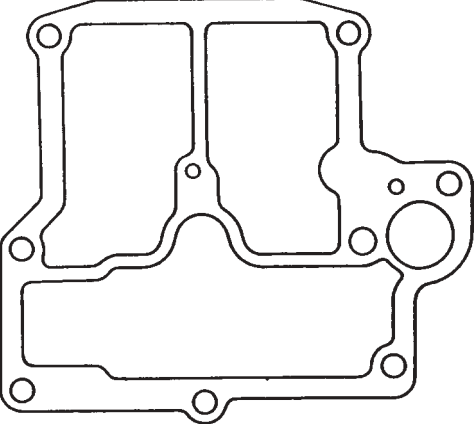
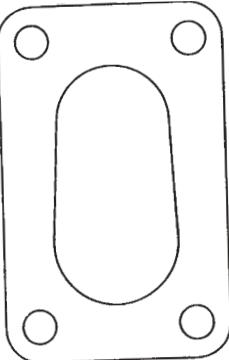
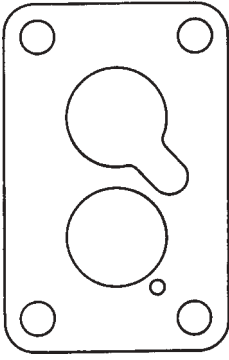
"APPLICATION"

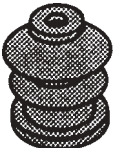
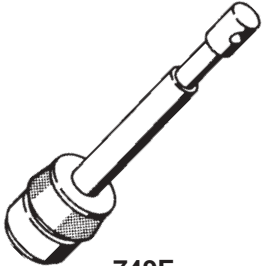

TOYOTA (4 cyl).....1982-81

 <p>90-21 CHECK BALL 1/8" STEEL</p>	 <p>90-12 CHECK BALL 5/32" STEEL</p>	 <p>62-56 ROD RETAINER</p>	 <p>ID .092 .063 THK. 705F IDLE NEEDLE SEAL O-RING</p>	 <p>ID .145 .041 THK. 603F O-RING</p>	 <p>ID .200 OD .324 .030 THK. G1158 PUMP DISCHARGE NOZZLE WASHER</p>
---	--	--	---	---	--

 <p>ID .375 OD .490 .030 THK. G52 DRAIN PLUG WASHER</p>	 <p>ID .314 OD .500 .033 THK. 670F FUEL INLET SEAL WASHER</p>	 <p>ID .485 OD .626 .032 THK. 215F FUEL VALVE SEAT WASHER</p>	 <p>ID .668 .079 THK. 693F FUEL LEVEL WINDOW O-RING</p>
---	---	--	---

 <p>857F SECONDARY VENTURI GASKET</p>	 <p>400F VENTURI CLUSTER GASKET</p>	 <p>856F THROTTLE BODY GASKET</p>
---	---	---

 <p>855F BOWL COVER GASKET</p>	 <p>486F FLANGE GASKET</p>	 <p>664F FLANGE GASKET</p>
--	---	--

 <p>543F PUMP PLUNGER BOOT</p>	 <p>749F LEATHER PUMP ASSEMBLY</p>	 <p>31-640 NEEDLE & SEAT ASSEMBLY</p>
--	--	---












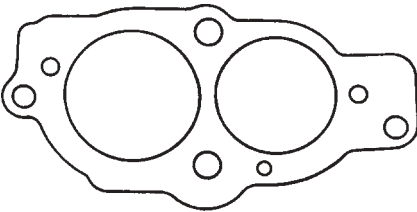
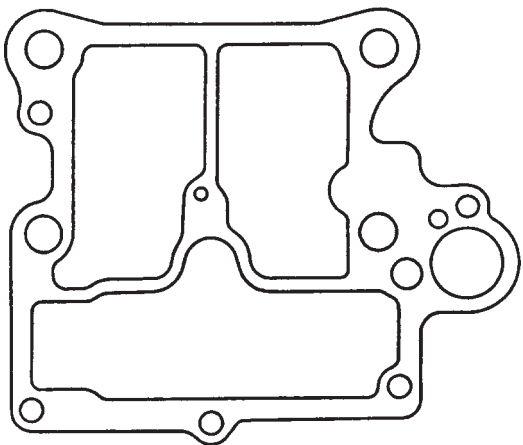
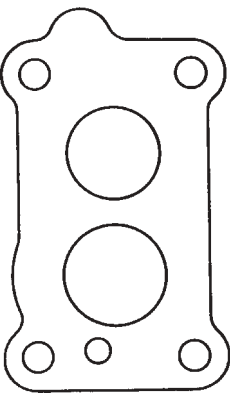

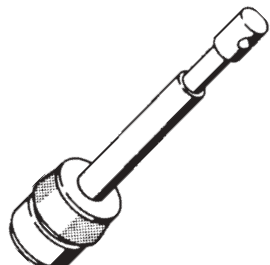

REFERENCE

**WALKER CARBURETOR
KIT #151016**

AISAN

"APPLICATION"

CHEV.(Sprint) (3 cyl).....1987-85

 <p>90-21 CHECK BALL 1/8" STEEL</p>	 <p>90-12 CHECK BALL 5/32" STEEL</p>	 <p>62-56 ROD RETAINER</p>	 <p>ID .145 .041 THK.</p> <p>603F O-RING</p>	 <p>ID .176 .070 THK.</p> <p>G273 SEC. CONNECTING TUBE O-RING</p>	 <p>ID .200 OD .324 .030 THK.</p> <p>G1158 PUMP DISCHARGE NOZZLE WASHER</p>
 <p>ID .309 OD .434 .030 THK.</p> <p>G50 NEEDLE SEAT WASHER</p>	 <p>ID .314 OD .500 .033 THK.</p> <p>670F FUEL INLET SEAL WASHER</p>	 <p>ID .485 OD .626 .032 THK.</p> <p>215F FUEL VALVE SEAT WASHER</p>			
 <p>857F SECONDARY VENTURI GASKET</p>	 <p>400F VENTURI CLUSTER GASKET</p>	 <p>1108F THROTTLE BODY GASKET</p>			
 <p>1107F BOWL COVER GASKET</p>	 <p>1109F FLANGE GASKET</p>				
 <p>543F PUMP PLUNGER BOOT</p>	 <p>1157F LEATHER PUMP ASSEMBLY</p>	 <p>31-640 NEEDLE & SEAT ASSEMBLY</p>			















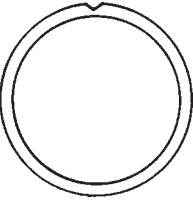
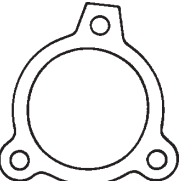
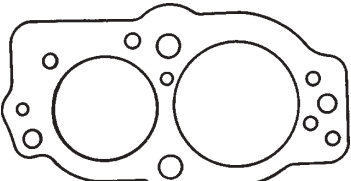
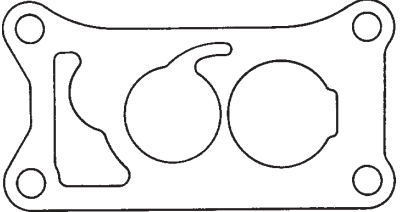
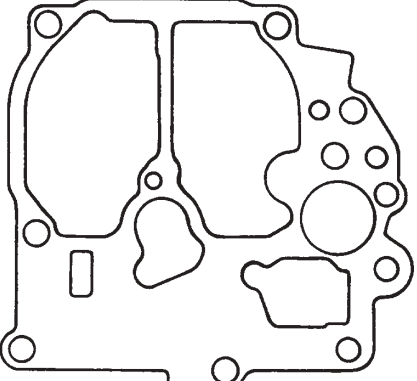
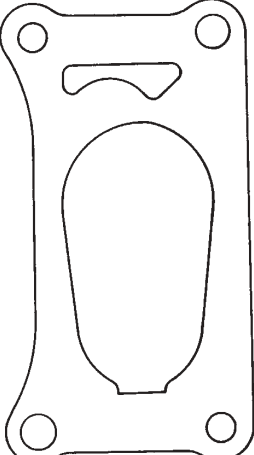
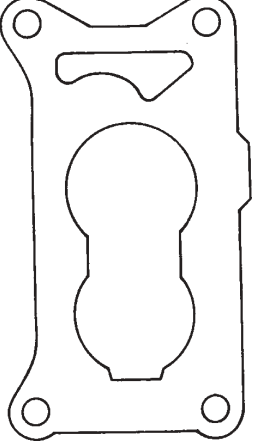
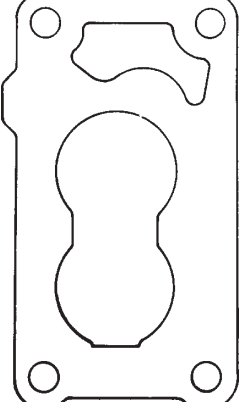
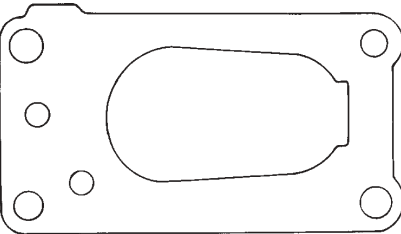


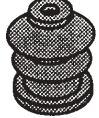
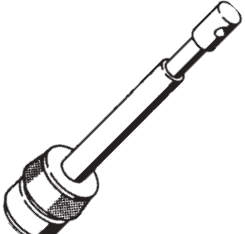
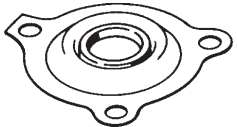
REFERENCE

**WALKER CARBURETOR
KIT #151066A**

AISAN

"APPLICATION"

**CHEV. (4 cyl).....1988-85
TOYOTA (4 cyl)....1989-84**

 <p>90-21 CHECK BALL 1/8" STEEL</p>	 <p>90-12 CHECK BALL 5/32" STEEL</p>	 <p>62-56 ROD RETAINER</p>	 <p>ID .145 .041 THK. 603F O-RING</p>	 <p>ID .158 OD .312 .060 THK. 235F RUBBER PUMP DISCHARGE SEAL</p>	 <p>ID .187 OD .317 .032 THK. G495 RUBBER CHOKE HOUSING WASHER</p>	 <p>ID .200 OD .324 .030 THK. G1158 PUMP DISCHARGE NOZZLE WASHER</p>
 <p>ID .309 OD .434 .030 THK. G50 NEEDLE SEAT WASHER</p>	 <p>ID .375 OD .490 .030 THK. G52 DRAIN PLUG WASHER</p>	 <p>ID .483 OD .625 .044 THK. 824F FUEL VALVE WASHER</p>	 <p>ID .668 .079 THK. 693F FUEL LEVEL WINDOW O-RING</p>	 <p>904F PRI. CLUSTER PASSAGE SEAL</p>	 <p>407F PRI. VENTURI GASKET</p>	 <p>406F SEC. VENTURI GASKET</p>
 <p>871F CHOKE COVER GASKET</p>	 <p>530F ENRICH. DIAPHRAGM GASKET</p>	 <p>480F THROTTLE BODY GASKET</p>	 <p>551F FLANGE GASKET</p>			
 <p>1137F BOWL COVER GASKET</p>	 <p>980F FLANGE GASKET</p>	 <p>1136F FLANGE GASKET</p>	 <p>1243F FLANGE GASKET</p>			
 <p>1244F FLANGE GASKET</p>	 <p>905F CHOKE COVER POP RIVET</p>	 <p>31-673 NEEDLE & SEAT ASSEMBLY</p>  <p>543F PUMP PLUNGER BOOT</p>	 <p>438F LEATHER PUMP ASSEMBLY</p>	 <p>554F ENRICH. DIAPHRAGM ASSEMBLY</p>		

REFERENCE

**WALKER CARBURETOR
KIT #151091**

AISAN

"APPLICATION"

**FORD (4 cyl).....1989-88
MERCURY (4 cyl)...1989-88**



90-12
CHECK BALL
5/32" STEEL



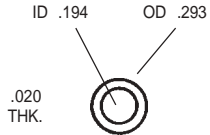
62-56
ROD RETAINER



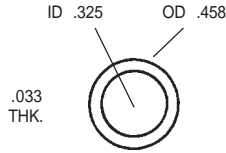
G1378
IDLE ORIFICE
O-RING



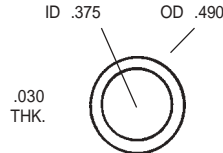
795F
PUMP DISCHARGE
NOZZLE O-RING



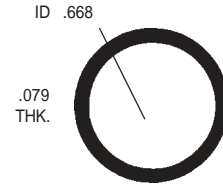
610F
ALUM. MAIN JET
WASHER



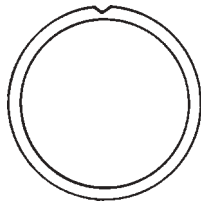
825F
COPPER VALVE
WASHER



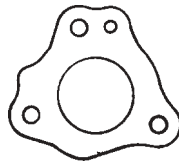
G52
DRAIN PLUG
WASHER



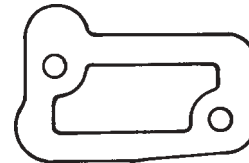
693F
FUEL LEVEL
WINDOW O-RING



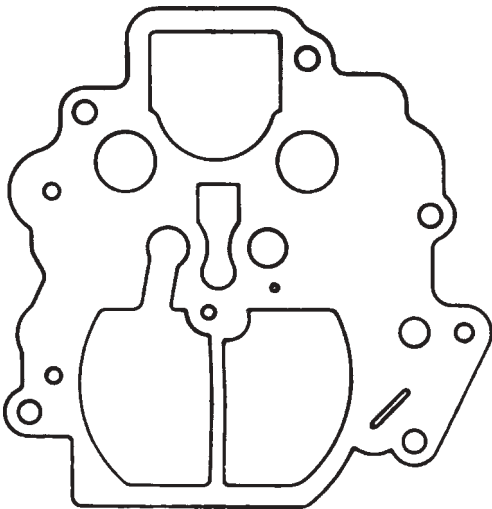
871F
CHOKE COVER
GASKET



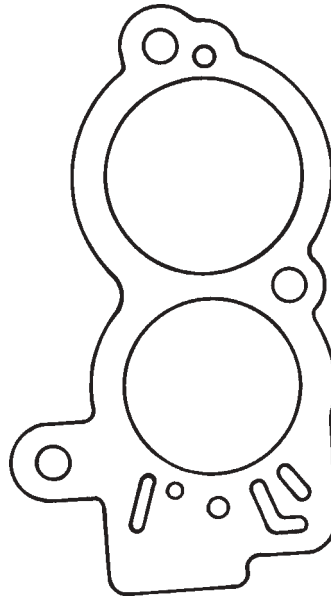
1240F
BOWL VENT
SOLENOID GASKET



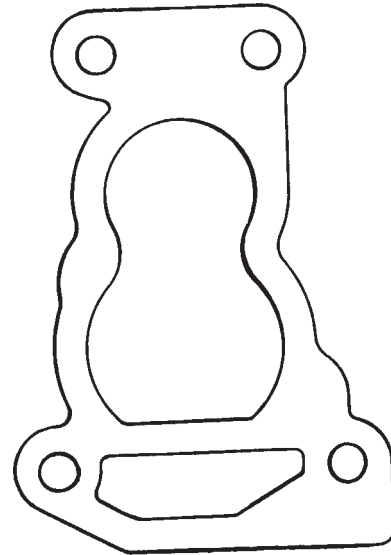
1239F
SECONDARY DIAPHRAGM
HOUSING MOUNTING GASKET



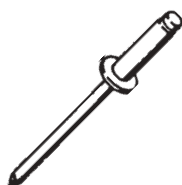
1237F
FLOAT BOWL GASKET



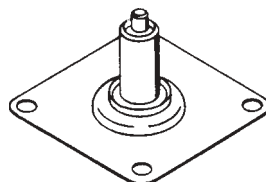
1238F
THROTTLE BODY INSULATOR SKIN



1241F
FLANGE GASKET



905F
CHOKE COVER
POP RIVET



1242F
PUMP DIAPHRAGM
ASSEMBLY



31-673
NEEDLE & SEAT
ASSEMBLY









REFERENCE






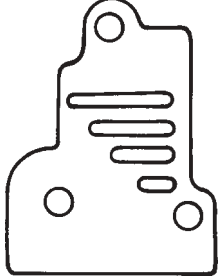
**WALKER CARBURETOR
KIT #151093**

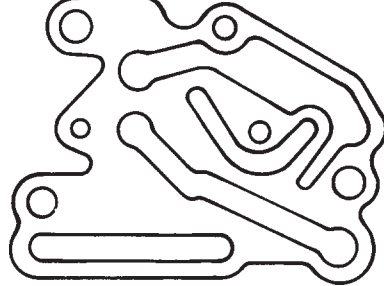
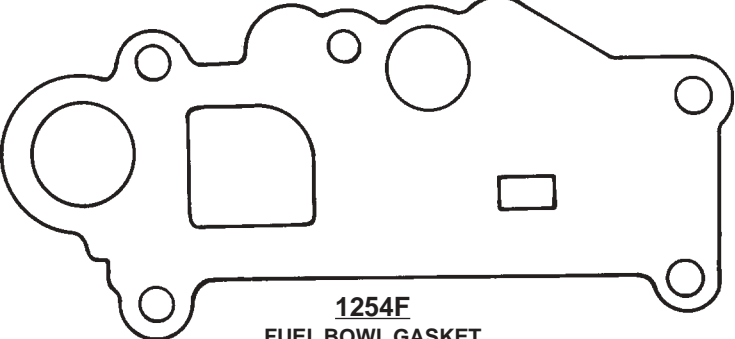
AISAN

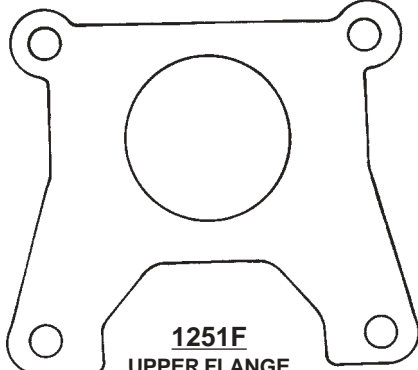
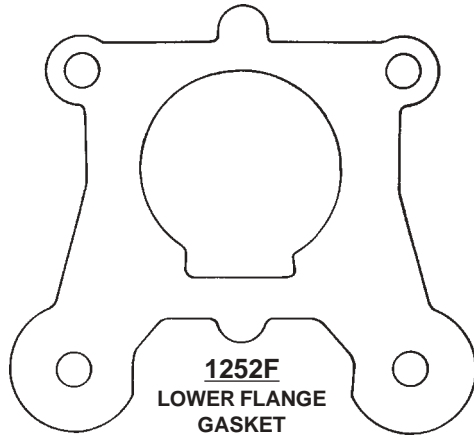
"APPLICATION"

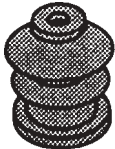
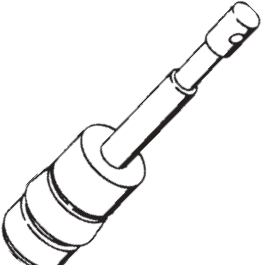

TOYOTA (4 cyl).....1990-87

 <p>62-56 ROD RETAINER</p>	 <p>32-10 COTTER PIN</p>	<p>ID .125 OD .213 .020 THK.</p>  <p>1256F SET SCREW WASHER</p>	<p>ID .143 OD .266 .042 THK.</p>  <p>1258F IDLE NEEDLE WASHER</p>	<p>ID .216 .039 THK.</p>  <p>1250F O-RING</p>	<p>ID .185 OD .282 .017 THK.</p>  <p>85-360 IDLE NEEDLE WASHER</p>	<p>ID .239 .040 THK.</p>  <p>1150F VENTURI O-RING</p>	<p>ID .239 .070 THK.</p>  <p>G272 FUEL INLET O-RING</p>
--	--	---	---	---	--	---	---

<p>ID .278 .046 THK.</p>  <p>G1376 IDLE NEEDLE O-RING</p>	<p>ID .335 .059 THK.</p>  <p>1141F O-RING</p>	<p>ID .485 OD .626 .032 THK.</p>  <p>215F FUEL VALVE SEAT WASHER</p>	<p>ID .600 OD .790 .040 THK.</p>  <p>1259F MAIN JET WASHER</p>	<p>ID .633 OD .792 .040 THK.</p>  <p>1257F SOLENOID WASHER</p>	 <p>1255F ADAPTER GASKET</p>
---	---	--	--	--	--

 <p>1253F COMPENSATOR GASKET</p>	 <p>1254F FUEL BOWL GASKET</p>
---	--

 <p>1251F UPPER FLANGE GASKET</p>	 <p>1252F LOWER FLANGE GASKET</p>
---	--

 <p>543F PUMP PLUNGER BOOT</p>	 <p>64-458 PUMP PLUNGER ASSEMBLY</p>	 <p>31-707 NEEDLE & SEAT ASSEMBLY</p>
--	--	---